



US Cabinet Depot is a blend of cabinetry professionals from many different areas of the cabinet industry. This mix of knowledge and experience has allowed us to build a company that truly understands the needs of its customers. Our focus is on providing products that exceed our customers' expectations in quality, price and service.

Quality:

Our products are designed to the highest standards in style and function. We start by selecting only high quality raw materials, hardware, adhesives and finishes. This bundle of superior components is the first step to securing your long term satisfaction.

The second step is a state of the art manufacturing process which ensures consistent production across the board. We have worked diligently to cut out waste and eliminate bottle necks. New manufacturing technologies are quickly implemented as they become available to the industry. The result is streamlined and efficient production costs which support a very competitive sales price for our products.

1 The final step is thorough inspections. Components are inspected for quality at the completion of each step of the manufacturing process. When the entire process is complete, each batch of product is compared with a control group to make sure it will match warehouse inventory perfectly. These quality standards were established so our customers have confidence in the consistent quality of our construction, color and finish.

Service:

We believe a product is only as good as the service that supports it. We spend a lot of time developing materials, processes and policies in order to make sure our customers are better served. The services we provide can be divided into three categories: supporting materials, order processing and customer service. Large strides have been made to ensure all of the pertinent information customers seek is readily available. Marketing materials are constantly being developed and distributed to help our customers educate their clientele. We understand that these are the sales tools required to successfully sell our product in your showrooms.

Our automated order processing system has allowed us to eliminate many unnecessary steps, significantly reducing our lead time. Orders placed online seamlessly flow through our inventory control and accounting systems.

We have a great team of experienced cabinet professionals ready to hear your concerns and answer your questions. Most importantly we listen to the input our customers give us and make sure your suggestions are addressed as we continually seek ways to better serve you. The goal is to establish a mutually beneficial relationship in which we can grow our businesses around.

Sample Doors - Framed

Capital Collection

Shaker



White Antique White Dove Grey Cinder

Oxford



Mist Toffee

Torrance



White

Casselberry



Antique White Saddle

Capital Impressions Collection

Shaker



Navy Black



Pictured: Shaker Dove & Shaker Navy

Sample Doors - Frameless

altaeuro Collection

Torino



White Pine Grey Wood Dark Wood

Verona



Pure Blanc Storm Grey Midnight Navy

Palermo



Gloss White

3



Pictured: Torino Grey Wood

Marketing Tools



Capital Collection Sales Sheet (50 Pack)



Capital Impressions Collection Sales Sheet (25 Pack)



altaeuro Collection Sales Sheet (50 Pack)



Specification Manual

Our mini bases come with the exact hardware used in our framed and frameless cabinetry.



Framed Mini Base



Frameless Mini Base



Framed Merchandiser

Contact your USCD Rep for merchandising solutions

Dealer Policies

- As an authorized US Cabinet Depot dealer, it is your responsibility to communicate our policies, product information, order information, claim information, etc. to your customer.
 - **US Cabinet Depot will not provide any details to dealer's customer(s) at any time nor will we be held responsible for any inaccurate information provided by dealers and their associates.**
- Any dealer selling US Cabinet Depot products online must complete a the Online Retail Acknowledgement form and be approved **prior** to offering it for resale.
 - If online resale is approved by US Cabinet Depot, you are only allowed to resale on the website specified at the time of approval. Resale on additional websites will require additional approval from US Cabinet Depot.
- Prior to publicizing your selling price, all dealers must adhere to the minimum advertised price as confirmed with your US Cabinet Depot representative.
- US Cabinet Depot reserves the right to monitor and modify dealer accounts as it applies to the company standards, (i.e. active status, eligible discounts, etc).

Order Processing & Payment

- 5
- All orders from US Cabinet Depot approved dealers will be accepted online only.
 - Large quantities of a single item or larger orders may trigger a review process that will require US Cabinet Depot approval prior to proceeding.
 - **Full Payment is required before an order will be processed.** (This includes backorders and approved written add-ons).
 - Payment can be made by Credit Card, Debit Card, or PayPal.
 - US Cabinet Depot cannot be held liable for payment methods that are not owned and/or managed by the dealer.
 - Any order, or change, that is unable to be completed on the website, must be submitted in writing to info@uscabinetdepot.com. Such requests exclude the order(s) from standard lead times.
 - Once an order is in process, no changes can be made. Additional items can be processed online as a new order.

Shipped Order Lead Time

- Flat-pack orders are processed and shipped within 3 full business days
- Assembled orders are processed and shipped within 15 full business days.

Warehouse Pick Up Order Lead Time

- Flatpack warehouse pickup orders are processed and made available for pickup within 3 full business days.
- Assembled warehouse pickup orders are processed and made available for pickup within 15 full business days.

- Rush services are available for both flat-pack and assembled orders for an additional fee as calculated on the website. (All orders with rush services are subject to total item quantity review.) **The "Rush Fee" only applies to warehouse processing time and does not apply to transit time to your destination.**
 - **Flat-Pack**
 - Same-day warehouse pickup is available for flat-pack orders placed by 12:00 PM (local warehouse time) and requires a minimum 3 hour processing time.
 - Same-day shipping is available for flat-pack orders placed by 12:00 PM (local fulfilling warehouse time). Orders placed after 12:00 PM will be processed the following business day.
 - **Assembled**
 - Rush services for assembled orders are processed and available for warehouse pickup or shipping within 10 business days.
 - US Cabinet Depot reserves the right to activate or deactivate assembly rush services at the company's discretion.
 - Rush services are unavailable for discontinued lines. Combined orders subject to refund of rush fee.
 - Rush services must be selected at the time of checkout.
- "Day One" starts on the next full business day after the order is placed.
- Cancellations after the order is picked will be subject to a 10% processing fee.
- Cancellations made after an order has been loaded onto a carrier's truck, or picked up, are subject to a 20% restocking/processing fee.

6

Backorders

- US Cabinet Depot reserves the right to activate or deactivate backorders for certain styles, colors, or SKUs at the company's discretion.
- Backorder shipping fees are based on the estimated size of the order and are subject to change based on market rates and services.
- The backorder shipping fee only covers one shipment, the backorder will not be released until all items on the backorder have been replenished in the fulfilling warehouse.

Assembly & Modifications

- Assembly and limited modifications are available for warehouse pickup and freight shipped orders (from select warehouses) for additional labor and shipping fees as calculated by the website.
- A limited number of modifications are available on framed **assembled items only**, including:
 - Increased Depth
 - Decreased Depth

- Prep for Glass: Route Door(s) & Finish Interior
- Double Oven Conversion
- Modifications exempt the entire order from normal lead times and can take up to an additional 5 business days for completion.

Shipping & Delivery

- All LTL freight orders are packaged in individual boxes, placed on a pallet, shrink-wrapped, and strapped.
- All LTL freight shipping charges are calculated online at the time of checkout.
- US Cabinet Depot reserves the right to fulfill orders between multiple shipments from different distribution facilities, without prior notification to the customer and with no additional cost applied.
 - If a customer requests changes to their selected shipping method after the time of checkout additional charges may apply.

LTL Shipping

- There is a 2-5 business day standard transit time with LTL carriers. **Please account for at least one extra day for residential deliveries and deliveries requiring a scheduled delivery appointment.**
- **Shipping charges must be paid for when your order is placed online.** (Orders exceeding standard LTL sizes are subject to additional fees for Full Truckload shipping).
 - This can be, but not always, identified by a \$9999 shipping cost that is revised after your order has been reviewed for shipping.
- You will receive a tracking number by email the day after the order has shipped.
- All destinations must be tractor/trailer accessible, or Limited Access fees will be applied as assessed by the website.
- For residential deliveries and deliveries requiring an appointment, the freight company **will reach out to the ship-to contact (consignee)** 24 hours in advance to schedule the delivery (usually a 3-4 hour window).
- **Shipping charges cover one delivery attempt.** The customer is responsible for any additional shipping and handling charges for delivery failure due to customer circumstances.

LTL Delivery Policies

- The driver is only responsible for placing the pallet on the ground for deliveries that had lift gate services selected at the time of check out.
- Address classifications are based on city zoning, therefore it is possible to have a commercial property in a residential area. In this case the delivery would be considered residential, and subject to the residential delivery fees and conditions.

- A responsible party must be present to inspect, inventory, and sign off on the delivery.
 - You **MUST** notate if the number of pallets delivered does not match the number listed on the driver's delivery receipt copy.
 - Careful inspection of packaging conditions is vital to file freight claims. Any visible damages must be noted on the paperwork when signing for the delivery, as well as documented with photos. Even if you are not sure if the contents inside contain damages due to the exterior's condition, you **MUST** indicate on the delivery receipt to be able to claim concealed damages in the future.
 - Do **NOT** reject damaged items. The delivery should be accepted, with documentation of the damage, and a claim should be filed online. SEE IMPORTANT NOTES IN MISSING AND DAMAGED ITEMS SECTION TO FOLLOW.
- Regional delivery services are available in select markets. Rates and delivery services vary by market.

Warehouse Pick Up Orders

- Orders must be picked up within **10 business days** of receiving the ready for pick-up email notification.
- After ten business days has passed, storage fees will begin to accumulate as follows:
 - \$25/day per open order
 - Fees will accumulate up to two weeks maxing out at \$250
 - Five weeks after the ready for pickup notification has been sent, the order will be returned back to inventory and refunded less the max \$250 and a 10% restocking fee.
- If storage fees are applied to your order(s), the order(s) will be released for pickup after any fees assessed are paid for in full.
- Orders placed for warehouse pick up are not palletized, wrapped, or strapped for shipping purposes.
 - If you are sending a delivery service that requires secure palletizing of products the order will incur additional packaging & labor fees and must be approved by US Cabinet Depot prior to pick up.
- For liability purposes, US Cabinet Depot will not help load warehouse pick-up orders without approval from the pick-up party.
- Orders must be picked up in safe and compatible condition in accordance to the product and environment. US Cabinet Depot cannot be held liable for damage that occurs due to improper weather or equipment conditions.
- US Cabinet Depot will not accept transit damage claims on warehouse pick-up orders that are picked up and/or shipped with delivery services contracted out at the dealer's discretion.

Replacements for Missing or Damaged Items (Including Concealed Damage)

- US Cabinet Depot has the final determination of resolution for any manufacturer warranty claims submitted. Solutions should be discussed with US Cabinet Depot prior to being promised to the end customer.
- Blemishes or other damages not impacting the structural integrity of a cabinet will not warrant a full cabinet replacement. US Cabinet Depot reserves the right to provide alternative products or components as solutions.
- Freight claims for obvious damage or shortage can only be accepted **when indicated on the delivery receipt.**
- Freight damage claims must be filed within 5 business days. No claims will be allowed without the proper paperwork noting the damage at the time of delivery.
- To file a claim for damage or a shortage, please log into our website and use our damage claim module.
- The following must be included to process the claim:
 - Order number
 - Buyer's name
 - Shipping address for replacements
 - Brief description of damage or shortage, including item numbers and/or parts
 - Pictures of the damaged packaging and product are required to be eligible for full replacement.
- Upon receipt of the damage claim, we will review the request within 48 business hours. Replacements will then be shipped out within 24-48 hours.
- Expedited shipping service is **NOT** available for replacements and/or parts.
- All damages must be documented and reported upon opening the boxes.
- Missing items must be reported within **two weeks** from delivery.
- Concealed damages must be reported within **one month** from delivery.
- Items that have been assembled and installed **cannot** be claimed as damaged.
- **US Cabinet Depot cannot be held responsible for any labor costs accrued during the installation of any of its products sold via any of its channels of distribution. This includes, but is not limited to, items that may be flawed or have become damaged in transit.**

Return Merchandise Authorizations (RMA)

- All returns must be authorized by US Cabinet Depot prior to return shipment.
- For authorization, please send an email request to support@uscabinetdepot.com.
- Returns must be received by US Cabinet Depot within 30 days of purchase.
- All items must be returned in original, unopened packaging, therefore **NO RETURNS ON ASSEMBLED CABINETS.**
- No returns on trims, mouldings, fillers, panels, or sales tools.
- No returns on discontinued cabinet styles.
- QUALIFYING returns will incur a 20% RESTOCKING FEE.
- The customer is responsible for setting up and covering all return shipments.
- Any returned product DEEMED UNSELLABLE **WILL NOT RECEIVE CREDIT.**

Marketing Policies

- US Cabinet Depot cannot be held liable for applicable marketing costs for marketing our products.
- Private labeling is done at the dealer's discretion.
- The use of any images and sales materials in your private label marketing can be released by emailing info@uscabinetdepot.com.

10

Display Policy

US Cabinet Depot is happy to partner with our displaying dealers. We now offer a 50% credit on US Cabinet Depot cabinetry products that are ordered and installed in a dealer's showroom. Cabinetry can only be for display, not for functional use. Desks, bathrooms, breakrooms, etc. are not eligible for rebate. Each dealer can earn up to a total of \$2,500 in credits. The display items must be ordered online, paid in full, and pictures sent to info@uscabinetdepot.com of showroom installation before a credit can be released. Please note: Drop shipped items do not qualify as part of the Display Program.

Third-Party Design Programs

US Cabinet Depot does not guarantee the accuracy of any third-party design software. This includes (but is not limited to) 2020 Design and ProKitchen Design softwares.

Please refer to your dealer portal for accurate information on US Cabinet Depot product specifications and pricing.

Construction

Are your cabinets constructed with solid wood?

Framed Capital Collections

- *Doors & Drawer Fronts* -
 - All stained finished doors, drawer fronts, and frames are constructed from 3/4" solid Birch hardwood. Our Casselberry Saddle style has a solid birch center panel, while our stained Shaker Cinder, Oxford Mist & Oxford Toffee have a veneered MDF center panel.
 - Our painted styles feature an all HDF door: Shaker White, Shaker Grey, Shaker Dove, Shaker Antique White, Shaker Navy, Shaker Black, Torrance White, and Casselberry Antique White.
- *Cabinet Box* - Our framed cabinet boxes are constructed from solid Birch hardwoods and furniture grade plywood. All materials are CARB2 compliant for standard US restrictions for formaldehyde emissions.
- *Drawer Box* - Our framed cabinetry features four-sided drawer boxes constructed from 5/8" thick solid hardwood, dovetail joints, and a fully captured 3/8" thick plywood floor.

Frameless (Full Access) altaeuro Collection

- *Doors & Drawer Fronts* -
 - Our Torino style features a fully edge banded, thermofused textured melamine over engineered wood, with a matching back.
 - Our Palermo style features a fully edge banded, high-gloss PET laminate over engineered wood, with a matte melamine back.
 - Our Verona style features a five-piece HDF painted door.
- *Cabinet Box* - Our frameless cabinet boxes are constructed using MDF and furniture grade plywood. All materials are CARB2 compliant for restricted formaldehyde emissions.
- *Drawer Box* - Our frameless cabinetry comes standard with our altamax drawer box. The altamax drawer box is a four-piece construction box complete with 1/2" thick metal sides and 5/8" thick thermofused melamine engineered wood back and floor.

How is the interior of the cabinet finished?

Framed Capital Collection

- Our framed cabinetry comes standard with UV coated natural interiors. Glassdoor "GD" cabinets have interiors that are painted or stained to match the exterior.

altaeuro Full Access Frameless

- Our altaeuro cabinets feature a grey linen thermofused melamine in and out.

Are your cabinets CARB2 certified?

Yes, all US Cabinet Depot products are 100% in compliance with CARB Phase 1 & CARB phase 2 defined guidelines of composite wood products.

Are your cabinets strong enough to support a granite countertop?

Our plywood core construction for all of our cabinets ensures the strength required to support granite, concrete, or any other countertop material that you may select. No additional cabinet reinforcement is required.

Do your cabinets have soft-close doors and drawers?

Soft-close doors and drawers are standard on all of our current cabinet collections (excludes select discontinued styles).

Is a finished panel required for exposed cabinet ends?**Framed Capital Collection**

- No, all of our framed cabinets come with finished exteriors.

altaeuro Full Access Frameless

- altaeuro features a standard grey linen thermofused melamine exterior, so panels will be needed to finish the exposed ends.

How much weight can the cabinet drawers hold?**Framed Capital Collection**

- Our framed cabinet drawers have a weight capacity of 70 lbs.

altaeuro Full Access Frameless

- Our altamax drawer boxes have the following weight capacities:
 - K-height (5") 88 lbs
 - C-height (6-¾") 132 lbs.

Do you sell paint color or stains that match the finishes of the cabinetry you offer?

We do not carry the paint color or stains to sell direct but we have partnered with Sherwin Williams for easy access to purchase our finishes. Simply visit a Sherwin Williams in your area, let them know you are interested in a customer paint color or stain from their National Accounts database under the profile name 'BGI'. Once the store associate has accessed the account successfully, provide them with the paint color/stain you are looking for.

Retail locations can accomplish matching any paint color for your projects however, paint color/stains are only recommended for smaller items such as trims & mouldings. For an accurate match for larger items, you will need to contact a Sherwin Williams Professional Coatings Group.

Ordering

What forms of payment do you accept?

We accept all major credit cards (Visa, American Express, MasterCard, and Discover), debit card & PayPal.

How can I check the status of my order?

You can view the progress of your orders by logging onto your account and selecting 'My Order' under the 'My Account' dropdown menu. The order status will be displayed next to your order as well as any tracking information if the order has shipped.

Do you offer credit terms?

We currently do not offer any sort of credit terms to our customers. All orders must be paid in full prior to processing and shipping any orders.

What is your return policy?

We do accept returns in certain circumstances. Please see the 'Return Merchandise Authorizations (RMA)' section of our Terms & Conditions for details.

Delivery

How do you ship your cabinetry?

Most orders will be shipped on a pallet via an LTL (Less than Truckload) carrier. Some smaller items may ship through a small parcel carrier.

How long will it take to receive my cabinets?

Flat-Pack Orders

- Flat-pack orders are processed and shipped out of our facilities within 3 full business days depending on the service chosen during checkout. Transit time to your location can vary from 1-6 business days depending on your location and the services required at delivery. (Backorders are exempt from normal lead times.)

Assembled Orders

- Standard assembled orders are processed and shipped within 15 full business days. Transit time to your location can vary from 1-6 business days depending on your location and the services required at delivery. (Backorders and modification orders are exempt from normal lead times.)

What if my delivery includes damaged cabinets?

If your order is received damaged, please notate any damages with the freight company on the delivery receipt when accepting the delivery and take photos of the damaged items. Most importantly, do not refuse the shipment. Submit a claim online with the photos of the damages or send them immediately to support@uscabinetdepot.com. US Cabinet Depot will review and replace damaged pieces in a timely manner.

Limited Lifetime Warranty

Brothers Global Inc warrants to the original consumer purchaser that US Cabinet Depot cabinetry, door hinges, and drawer glides will be free from defects in material and workmanship under normal use and service for the lifetime of the product (Proof of Purchase is required). This warranty is not transferable and only applicable to product used for residential purposes. Representatives of US Cabinet Depot do not have the authority to change or enlarge this warranty.

This warranty does not cover normal wear and tear, damage or defects caused by accidents, misuse, abuse, or lack of necessary maintenance; nor does it cover alteration, modification, improper installation, improper handling / storage, environmental conditions, nor any labor expenses.

Brothers Global Inc., at our option, may elect to repair or replace with a functionally equivalent product any US Cabinet Depot product covered by this warranty. Some replacement parts are subject to availability and may differ from original parts received. Return of defective product may be required for a replacement to be issued. Repair parts or replacement parts are at the expense of Brothers Global Inc., but customer shall bear all other expenses. These expenses may include, but are not limited to, cost of removal and re-installation of product, labor expenses, etc.

Just as no two trees are alike, no two pieces of wood are alike. The variation in color and grain pattern in wood adds to its natural beauty and is not considered an imperfection. Environmental factors, including but not limited to artificial / natural light, moisture, cleaners, smoke, etc, may cause the darkening or mellowing of a cabinet over time. This is a natural process and can be expected. This warranty does not cover the natural aging or darkening / mellowing of wood color, the inherent growth characteristics of, or variation in wood.

Some of the cabinet lines feature a glazed finish which accentuates the door and drawer front profiles. This glaze is hand applied over a stain or paint and may, due to the nature of application, consist of random drips, runs, etc. As glazing is a hand applied process, there will be variations in color and appearance from door to door and cabinet to cabinet. This is not considered a defect and is considered normal with hand applied finishes. It is the nature of wood to expand and contract to varying degrees depending on climate conditions. As a result, cabinet lines with painted surfaces may show fractures in the paint at joints. This is normal and is not considered a defect.

This warranty is valid only in the United States of America and Canada and is not transferable. All implied warranties are limited in duration to the shorter of the period provided by law or the period of this warranty. To the extent permitted by law, this warranty excludes special, incidental, or consequential damages. Some states do not allow the exclusion or limitations of incidental or consequential damages or limitations on how long an implied warranty lasts, so the above limitations or exclusions may not apply to you. This warranty gives you specific legal rights; you may have other rights which vary from state to state. To exercise this warranty, please contact the US Cabinet Depot supplier from whom you purchased the product. Report, in writing, to support@uscabinetdepot.com all defects claimed and include proof of purchase documentation.

SHAKER

(*Specifications subject to change without notice)



WHITE
(SW)



ANTIQUE WHITE
(SA)



DOVE
(SD)

- Framed Cabinet with Full Overlay Doors and Drawers
- Under Mount Full Extension Soft Close Drawer Glides
- Concealed European Style Hinges with Soft Close Feature
- Five Piece HDF Door
- 1/2" Plywood Box with UV Coated Matching Exterior
- Glue & Staple or Metal Clip Assembly
- UV Coated Natural Interior

SHAKER

(*Specifications subject to change without notice)



**GREY
(SG)**

- Framed Cabinet with Full Overlay Doors and Drawers
- Under Mount Full Extension Soft Close Drawer Glides
- Concealed European Style Hinges with Soft Close Feature
- Five Piece HDF Door
- ½" Plywood Box with UV Coated Matching Exterior
- Glue & Staple or Metal Clip Assembly
- UV Coated Natural Interior



**CINDER
(SC)**

- Framed Cabinet with Full Overlay Doors and Drawers
- Under Mount Full Extension Soft Close Drawer Glides
- Concealed European Style Hinges with Soft Close Feature
- Solid Birch Door Frame with Veneered MDF Center Panel
- ½" Plywood Box with Stained Exterior
- Glue & Staple or Metal Clip Assembly
- UV Coated Natural Interior

OXFORD

(*Specifications subject to change without notice)



**MIST
(OM)**

**TOFFEE
(OT)**

- Framed Cabinet with Full Overlay Doors and Drawers
- Under Mount Full Extension Soft Close Drawer Glides
- Concealed European Style Hinges with Soft Close Feature
- Solid Birch Door Frame with Veneered MDF Center Panel
- ½" Plywood Box with UV Coated Matching Exterior
- Glue & Staple or Metal Clip Assembly
- UV Coated Natural Interior

TORRANCE

(*Specifications subject to change without notice)



WHITE
(TW)

- Framed Cabinet with Full Overlay Doors and Drawers
- Under Mount Full Extension Soft Close Drawer Glides
- Concealed European Style Hinges with Soft Close Feature
- Five Piece HDF Door
- ½" Plywood Box with UV Coated Matching Exterior
- Glue & Staple or Metal Clip Assembly
- UV Coated Natural Interior

CASSELBERRY

(*Specifications subject to change without notice)



ANTIQUE WHITE
(CW)

- Framed Cabinet with Full Overlay Doors and Drawers
- Under Mount Full Extension Soft Close Drawer Glides
- Concealed European Style Hinges with Soft Close Feature
- Five Piece HDF Door
- ½" Plywood Box with UV Coated Matching Exterior
- Glue & Staple or Metal Clip Assembly
- UV Coated Natural Interior



SADDLE
(CS)

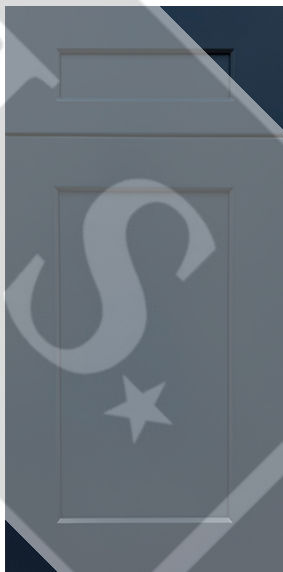
- Framed Cabinet with Full Overlay Doors and Drawers
- Under Mount Full Extension Soft Close Drawer Glides
- Concealed European Style Hinges with Soft Close Feature
- Solid Birch Door Frame with Solid Birch Center Panel
- ½" Plywood Box with UV Coated Matching Exterior
- Glue & Staple or Metal Clip Assembly
- UV Coated Natural Interior

SHAKER

(*Specifications subject to change without notice)

The **Capital Impressions Collection** was curated for accent applications and is available in hand-selected SKUs while still offering the same standard quality and features as the Framed Capital Collection.

Please see the Pricing & Availability section for item offering.



NAVY
(SN)

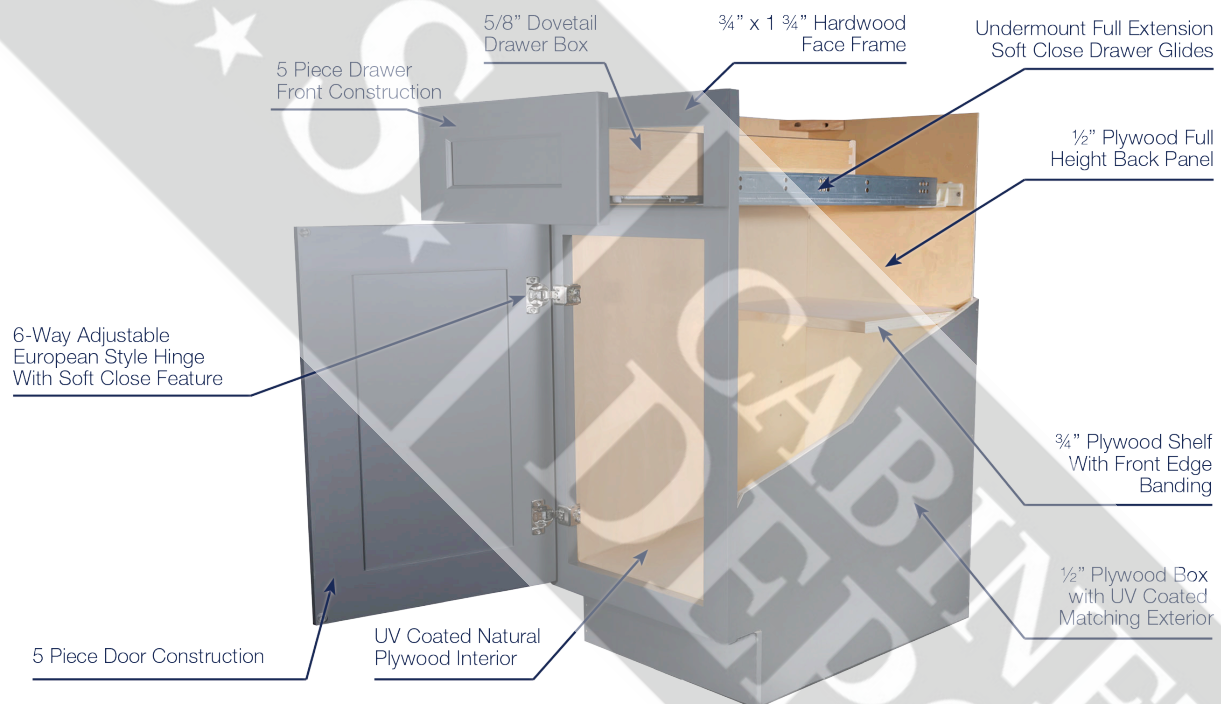


BLACK
(SB)

- Framed Cabinet with Full Overlay Doors and Drawers
- Under Mount Full Extension Soft Close Drawer Glides
- Concealed European Style Hinges with Soft Close Feature
- Five Piece HDF Door
- ½" Plywood Box with UV Coated Matching Exterior
- Glue & Staple or Metal Clip Assembly
- UV Coated Natural Interior

CONSTRUCTION SPECIFICATIONS

(*Specifications subject to change without notice)

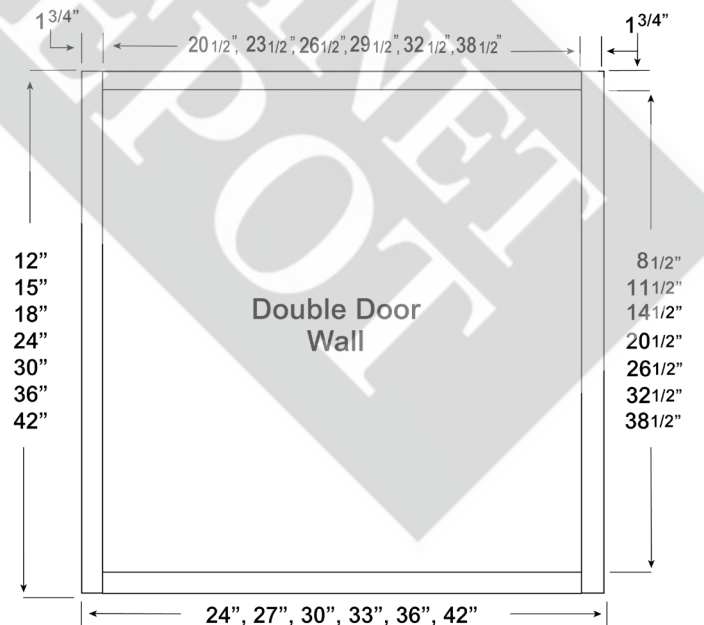
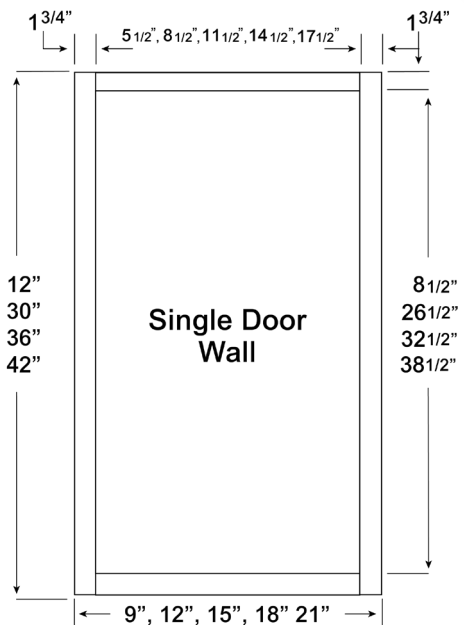
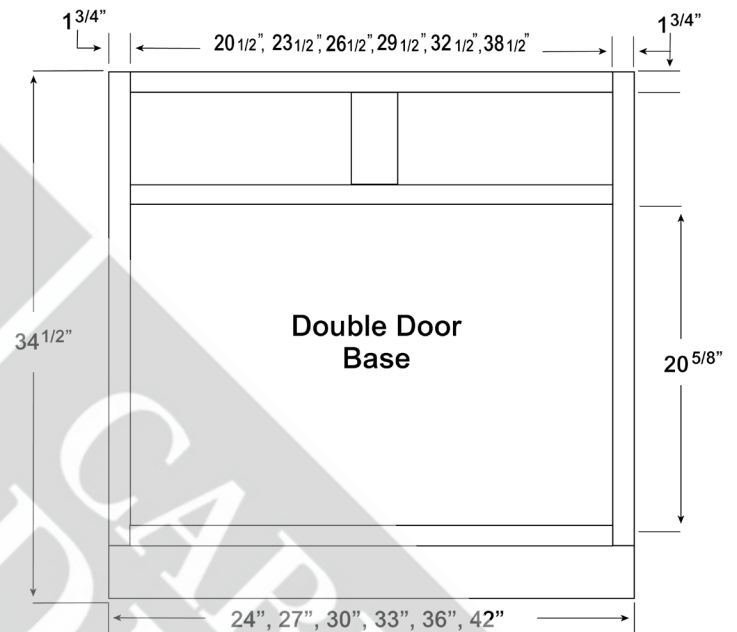
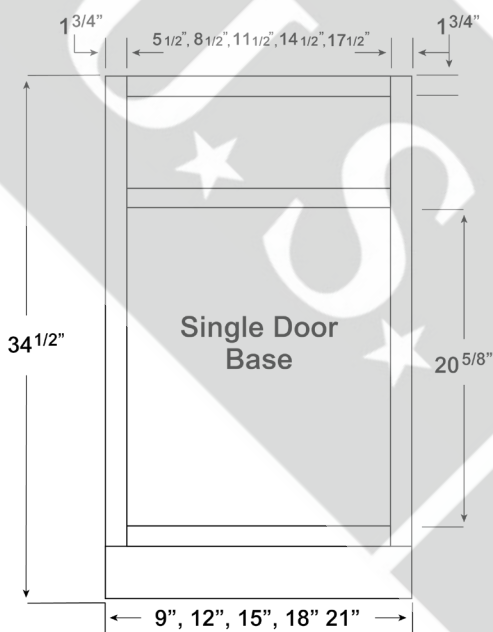


21

CONSTRUCTION SPECIFICATIONS

CABINET FRAME & OPENING DIMENSIONS - 1 3/4"

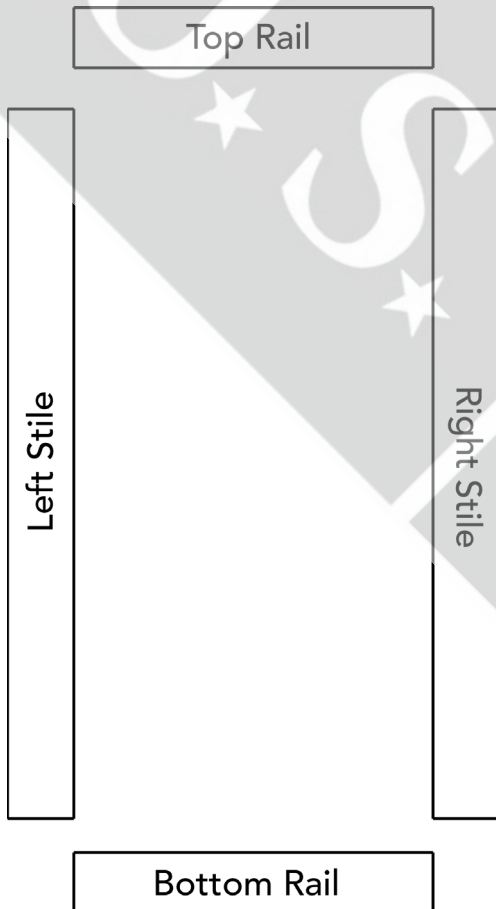
- Height of all base cabinet openings is 20 5/8"
- Cabinet Size - 3 1/2" will give you opening
- Example B30: 30" - 3 1/2" = 26 1/2"



GLASSDOOR CUTOUT SPECIFICATIONS

We offer various sized framed wall cabinets that have the doors routed for glass inserts and have an interior matching the cabinet exterior.

While these cabinets do not come equipped with glass or mullions, we have developed an easy to follow formula to help **estimate** the proper sized insert for your door while placing orders.



Height Configuration:

Door Height* - (2 x Door Style Rail Width) + 1½"

Width Configuration:

Door Width* - (2 x Door Style Stile Width) + 1½"

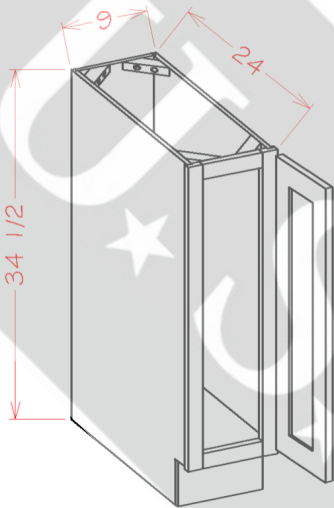
Door Style	Rail Width	Stile Width
Shaker	2¾"	2¾"
Oxford	2¾"	2¾"
Torrance	3"	3"
Casselberry	3"	3"

*Door height and width information is located in the Specification Manual.

DISCLAIMER: This formula is to be used as an estimation tool only. We recommend that physical measurements are taken prior to ordering your inserts. We cannot guarantee the exact dimensions determined when using the formula provided.

PRODUCT SPECIFICATIONS

Tray Base

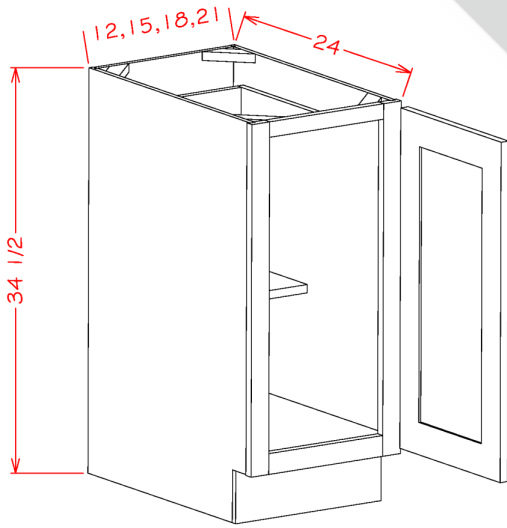


Model	Description	Width	Height	Depth
BT9*	Cabinet Dimension	9	34½	24
	Door Dimension	8½	29	¾

*Available in: **CAPITAL impressions** collection

24

Full Height Single Door Bases



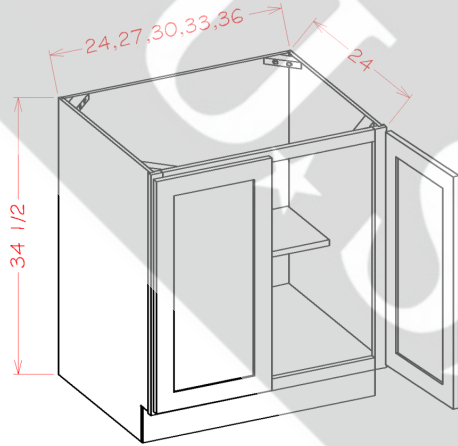
Model	Description	Width	Height	Depth
B12FH	Cabinet Dimension	12	34½	24
	Door Dimension	11½	29	¾
B15FH*	Cabinet Dimension	15	34½	24
	Door Dimension	14½	29	¾
B18FH*	Cabinet Dimension	18	34½	24
	Door Dimension	17½	29	¾
B21FH*	Cabinet Dimension	21	34½	24
	Door Dimension	20½	29	¾

- Two boxes will be received when ordering this cabinet kit flat pack.

*Available in: **CAPITAL impressions** collection

PRODUCT SPECIFICATIONS

Full Height Double Door Bases



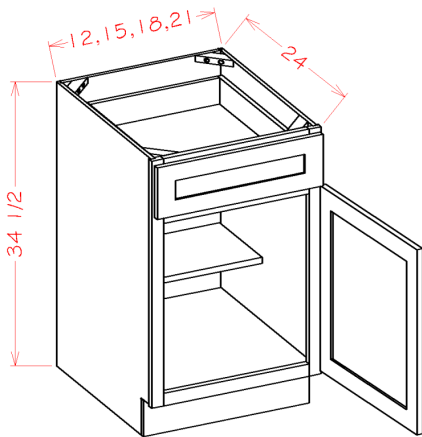
Model	Description	Width	Height	Depth
B24FH*	Cabinet Dimension	24	34½	24
	Door Dimension	11¾	29	¾
B27FH	Cabinet Dimension	27	34½	24
	Door Dimension	13¼	29	¾
B30FH*	Cabinet Dimension	30	34½	24
	Door Dimension	14¾	29	¾
B33FH	Cabinet Dimension	33	34½	24
	Door Dimension	16¼	29	¾
B36FH*	Cabinet Dimension	36	34½	24
	Door Dimension	17¾	29	¾

- Two boxes will be received when ordering this cabinet kit flat pack.

*Available in: **CAPITAL impressions**
collection

25

Single Door Single Drawer Bases

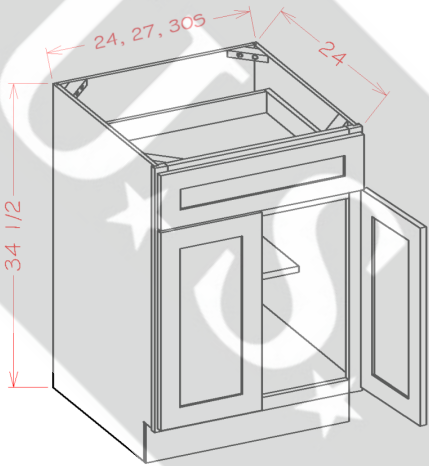


Model	Description	Width	Height	Depth
B12	Cabinet Dimension	12	34½	24
	Door Dimension	11½	22½	¾
	Drawer Front	11½	6¼	¾
	Drawer Box	8	3¼	20⅜
B15*	Cabinet Dimension	15	34½	24
	Door Dimension	14½	22½	¾
	Drawer Front	14½	6¼	¾
	Drawer Box	11	3¼	20⅜
B18*	Cabinet Dimension	18	34½	24
	Door Dimension	17½	22½	¾
	Drawer Front	17½	6¼	¾
	Drawer Box	14	3¼	20⅜
B21*	Cabinet Dimension	21	34½	24
	Door Dimension	20½	22½	¾
	Drawer Front	20½	6¼	¾
	Drawer Box	17	3¼	20⅜

*Available in: **CAPITAL impressions**
collection

PRODUCT SPECIFICATIONS

Double Door Single Drawer Bases



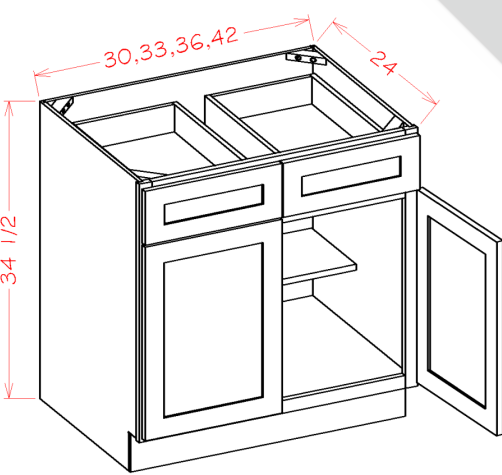
Model	Description	Width	Height	Depth
B24*	Cabinet Dimension	24	34½	24
	Door Dimension	11¾	22½	¾
	Drawer Front	23½	6¼	¾
	Drawer Box	20	3¼	20¾
B27	Cabinet Dimension	27	34½	24
	Door Dimension	13¾	22½	¾
	Drawer Front	26½	6¼	¾
	Drawer Box	23	3¼	20¾
B30S*†	Cabinet Dimension	30	34½	24
	Door Dimension	14¾	22½	¾
	Drawer Front	29½	6¼	¾
	Drawer Box	26	3¼	20¾

† The B30S will be a running change from the B30 with two drawers.

*Available in: **CAPITAL impressions** collection

26

Double Door Double Drawer Bases

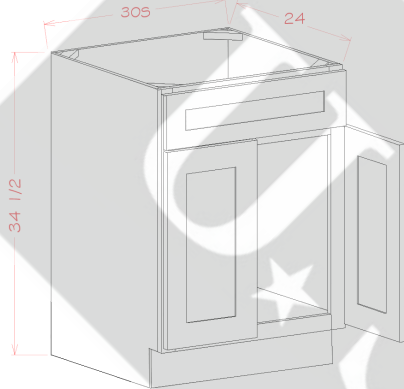


Model	Description	Width	Height	Depth
B30	Cabinet Dimension	30	34½	24
	Door Dimension	14¾	22½	¾
	Drawer Front	14¾	6¼	¾
	Drawer Box	12	3¼	20¾
B33	Cabinet Dimension	33	34½	24
	Door Dimension	16¾	22½	¾
	Drawer Front	16¾	6¼	¾
	Drawer Box	13½	3¼	20¾
B36*	Cabinet Dimension	36	34½	24
	Door Dimension	17¾	22½	¾
	Drawer Front	17¾	6¼	¾
	Drawer Box	15	3¼	20¾
B42	Cabinet Dimension	42	34½	24
	Door Dimension	20¾	22½	¾
	Drawer Front	20¾	6¼	¾
	Drawer Box	18	3¼	20¾

*Available in: **CAPITAL impressions** collection

PRODUCT SPECIFICATIONS

Sink Bases - Double Door Single Drawer Front

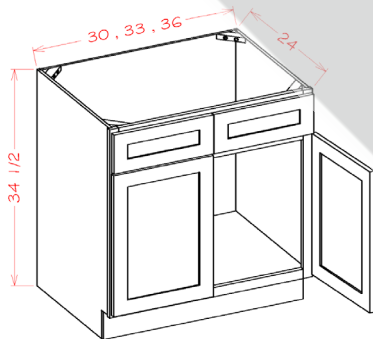


Model	Description	Width	Height	Depth
SB30S*†	Cabinet Dimension	30	34½	24
	Door Dimension	14¾	22½	¾
	Drawer Front	29½	6¼	¾

† The SB30S will be a running change from the SB30 with two drawers.

*Available in: **CAPITAL
impressions**
collection

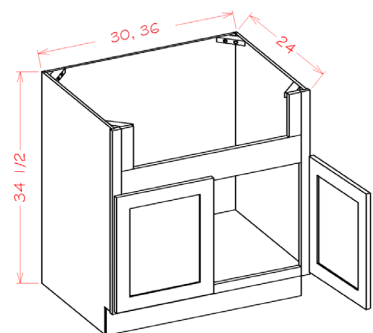
Sink Bases - Double Door Double Drawer Front



Model	Description	Width	Height	Depth
SB30	Cabinet Dimension	30	34½	24
	Door Dimension	14¾	22½	¾
	Drawer Front	14¾	6¼	¾
SB33	Cabinet Dimension	33	34½	24
	Door Dimension	16¼	22½	¾
	Drawer Front	16¼	6¼	¾
SB36*	Cabinet Dimension	36	34½	24
	Door Dimension	17¾	22½	¾
	Drawer Front	17¾	6¼	¾

*Available in: **CAPITAL
impressions**
collection

Sink Bases - Farm Sink



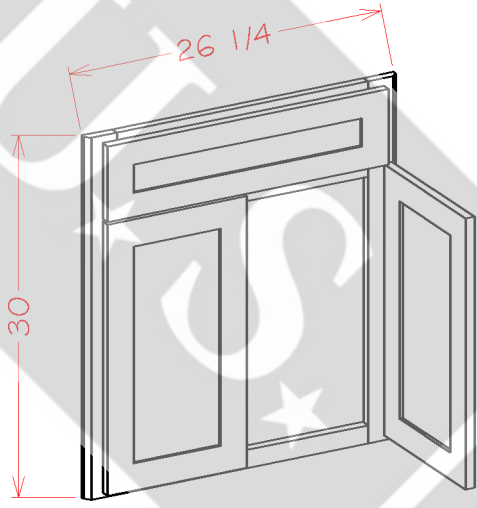
Model	Description	Width	Height	Depth
FSB30	Cabinet Dimension	30	34½	24
	Sink Cutout Dimension	23	7	—
	Door Dimension	14¾	19	¾
FSB36*	Cabinet Dimension	36	34½	24
	Sink Cutout Dimension	29	7	—
	Door Dimension	17¾	19	¾

- FSB 30 fits up to a 27"W x 10"H farm sink.
- FSB 36 fits up to a 33"W x 10"H farm sink.

*Available in: **CAPITAL
impressions**
collection

PRODUCT SPECIFICATIONS

Sink Bases - Diagonal Sink Front

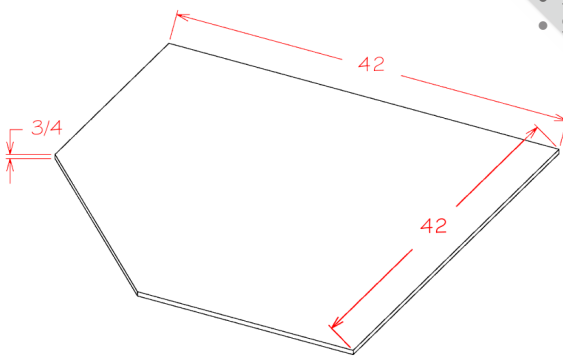


Model	Description	Width	Height	Depth
DCSF42	Cabinet Dimension	26 $\frac{1}{4}$	30	$\frac{3}{4}$
	Door Dimension	11 $\frac{3}{4}$	22 $\frac{1}{2}$	$\frac{3}{4}$

- DCSF42 to be used in conjunction with SBF4242
- Available as a kit item SKU: DCFF42
- Toe Kick Not Included

28

Sink Bases - Diagonal Sink Floor

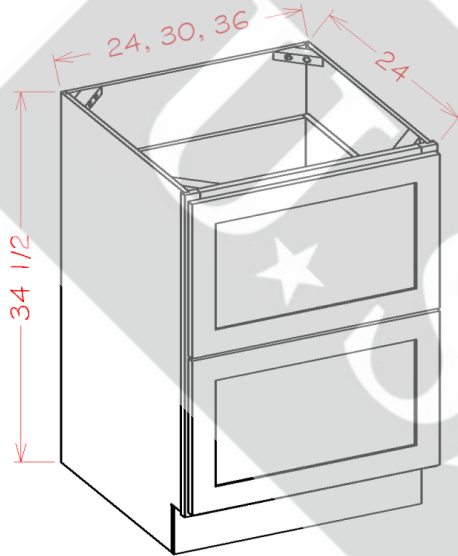


Model	Description	Width	Height	Depth
SBF4242	Door Dimension	42	$\frac{1}{2}$	42

- Sink floor only.
- SBF4242 to be used in conjunction with DCSF42.

PRODUCT SPECIFICATIONS

Two Drawer Bases

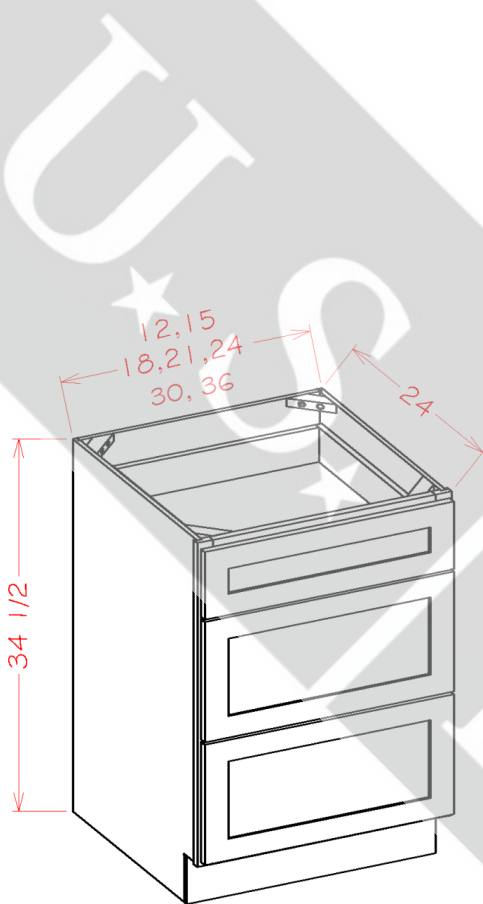


Model	Description	Width	Height	Depth
2DB24	Cabinet Dimension	24	34½	24
	Drawer Front	23½	14½	¾
	Drawer Box	20	8¼	20¾
2DB30*	Cabinet Dimension	30	34½	24
	Drawer Front	29½	14½	¾
	Drawer Box	26	8¼	20¾
2DB36	Cabinet Dimension	36	34½	24
	Drawer Front	35½	14½	¾
	Drawer Box	32	8¼	20¾

*Available in: **CAPITAL**
impressions
collection

PRODUCT SPECIFICATIONS

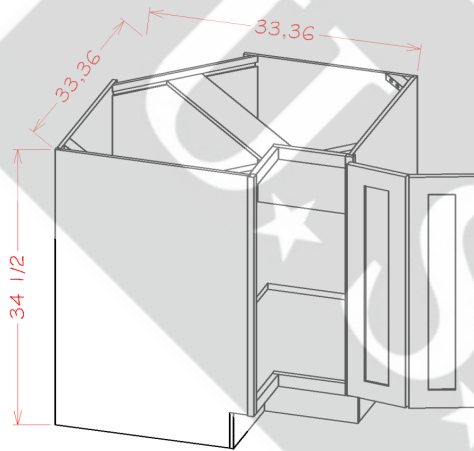
Three Drawer Base				
Model	Description	Width	Height	Depth
3DB12	Cabinet Dimension	12	34½	24
	Top Drawer Front	11½	6¼	¾
	Bottom Drawer Front	11½	11⅞	¾
	Top Drawer Box	8	3⅜	20⅜
	Bottom Drawer Box	8	8¼	20⅜
3DB15	Cabinet Dimension	15	34½	24
	Top Drawer Front	14½	6¼	¾
	Bottom Drawer Front	14½	11⅞	¾
	Top Drawer Box	11	3⅜	20⅜
	Bottom Drawer Box	11	8¼	20⅜
3DB18*	Cabinet Dimension	18	34½	24
	Top Drawer Front	17½	6¼	¾
	Bottom Drawer Front	17½	11⅞	¾
	Top Drawer Box	14	3⅜	20⅜
	Bottom Drawer Box	14	8¼	20⅜
3DB21	Cabinet Dimension	21	34½	24
	Top Drawer Front	20½	6¼	¾
	Bottom Drawer Front	20½	11⅞	¾
	Top Drawer Box	17½	3⅜	20⅜
	Bottom Drawer Box	17½	8¼	20⅜
3DB24*	Cabinet Dimension	24	34½	24
	Top Drawer Front	23½	6¼	¾
	Bottom Drawer Front	23½	11⅞	¾
	Top Drawer Box	20	3⅜	20⅜
	Bottom Drawer Box	20	8¼	20⅜
3DB30*	Cabinet Dimension	30	34½	24
	Top Drawer Front	29½	6¼	¾
	Bottom Drawer Front	29½	11⅞	¾
	Top Drawer Box	26	3⅜	20⅜
	Bottom Drawer Box	26	8¼	20⅜
3DB36	Cabinet Dimension	36	34½	24
	Top Drawer Front	35½	6¼	¾
	Bottom Drawer Front	35½	11⅞	¾
	Top Drawer Box	32	3⅜	20⅜
	Bottom Drawer Box	32	8¼	20⅜



*Available in: **CAPITAL impressions** collection

PRODUCT SPECIFICATIONS

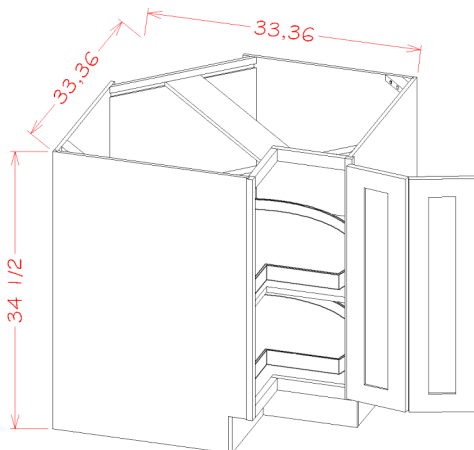
Base Easy Reach



Model	Description	Width	Height	Depth
BER33	Cabinet Dimension	33	34½	24
	Door Dimension	7 ⁵ / ₈	29	¾
BER36	Cabinet Dimension	36	34½	24
	Door Dimension	10 ⁵ / ₈	29	¾

31

Base Easy Reach with Lazy Susan Trays

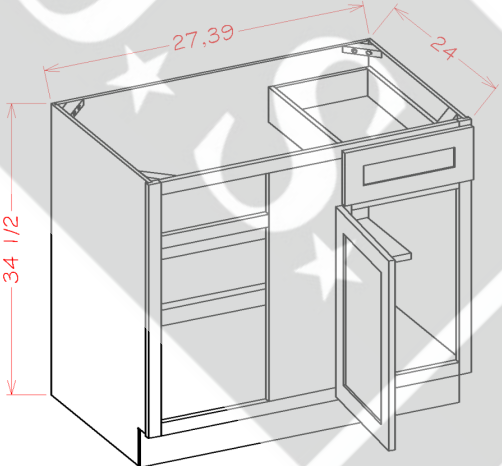


Model	Description	Width	Height	Depth
LSB33	Cabinet Dimension	33	34½	24
	Door Dimension	7 ⁵ / ₈	29	¾
LSB36	Cabinet Dimension	36	34½	24
	Door Dimension	10 ⁵ / ₈	29	¾

- LSB33 Inside Opening is 11.5" W and Wooden Lazy Susan Tray is 27.5" W (Comes in a separate box)
- LSB36 Inside Opening is 15.5" W and Wooden Lazy Susan Tray is 27.5" W (Comes in a separate box)
- Two boxes will be received when ordering this cabinet kit flat pack.

PRODUCT SPECIFICATIONS

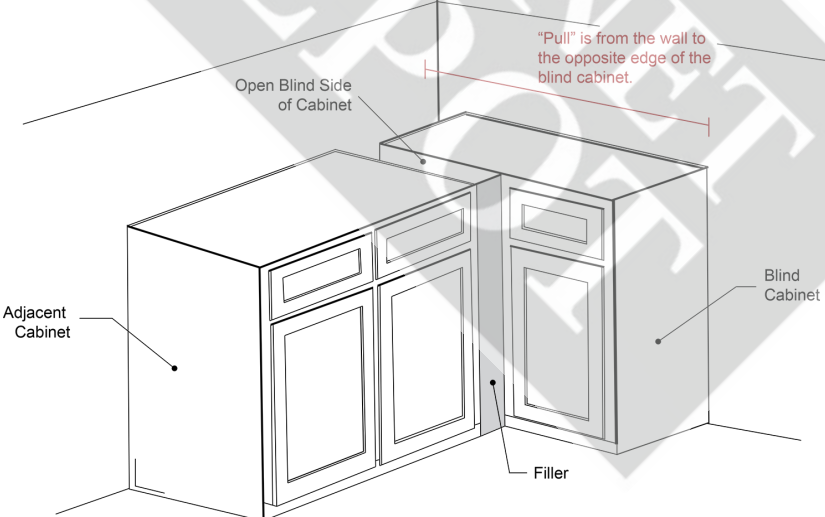
Blind Bases



Model	Description	Width	Height	Depth
BBC36	Door Opening	6 ³ / ₄	20 ¹ / ₂	22 ³ / ₄
	Cabinet Dimension	27	34 ¹ / ₂	24
	Door Dimension	9 ³ / ₄	22 ¹ / ₂	³ / ₄
	Drawer Front	9 ³ / ₄	6 ¹ / ₄	³ / ₄
BBC42	Drawer Box	6 ¹ / ₂	3 ³ / ₈	20 ³ / ₈
	Door Opening	12 ³ / ₄	20 ¹ / ₂	22 ³ / ₄
	Cabinet Dimension	39	34 ¹ / ₂	24
	Door Dimension	15 ³ / ₄	22 ¹ / ₂	³ / ₄
	Drawer Front	15 ³ / ₄	6 ¹ / ₄	³ / ₄
Drawer Box	12 ³ / ₈	3 ³ / ₈	20 ³ / ₈	

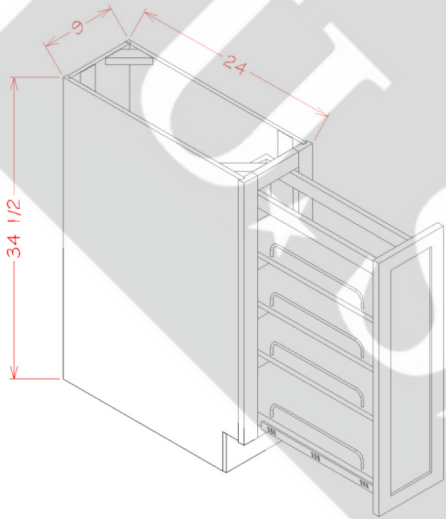
Model	Box Size	Min	Max	Stile
BBC36	27	36 ¹ / ₂	43	10
BBC42	39	42 ¹ / ₂	49	10

- Must Use Filler (not supplied)



PRODUCT SPECIFICATIONS

Accessory Base Cabinets - Full Height Door Base Kit with Shelf Pullout



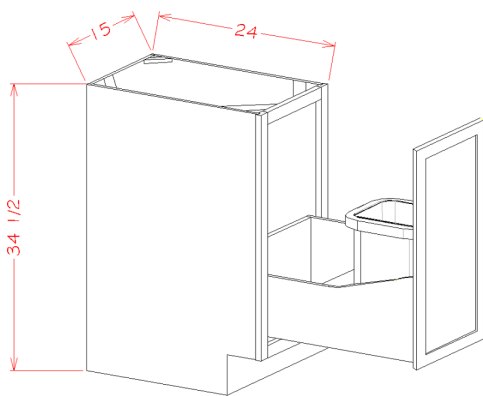
Model	Description	Width	Height	Depth
BT9PO*	Cabinet Dimension	9	34½	24
	Door Dimension	8½	29	¾
	Pullout Dimension	6	25½	22 ¾

- Pullout is mounted to the cabinet floor and door.
- Full-extension slides with BLUMOTION soft-close (110 lb weight capacity).
- Two boxes will be received when ordering this cabinet kit flat pack.

*Available in: **CAPITAL**
impressions
collection

33

Accessory Base Cabinets - Full Height Door Base Kit with Single Trashcan



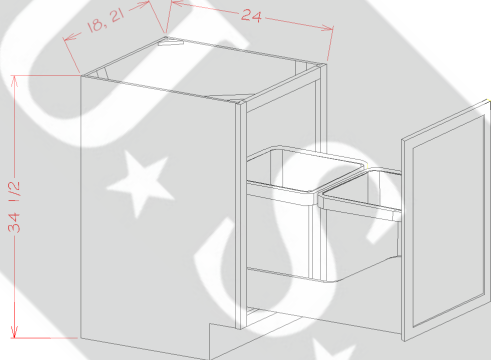
Model	Description	Width	Height	Depth
B15FHTCPO*	Cabinet Dimension	15	34½	24
	Door Dimension	14½	29	¾
	Pullout Dimension	12	19½	21 ²¹ / ₃₂
	Trashcan Dimension	14 ³ / ₁₆	17 ⁷ / ₈	10½

- Pullout is mounted to the cabinet floor and door.
- Full-extension slides with BLUMOTION soft-close (110 lb weight capacity).
- Single 35qt trashcan.
- Three boxes will be received when ordering this cabinet kit flat pack.

*Available in: **CAPITAL**
impressions
collection

PRODUCT SPECIFICATIONS

Accessory Base Cabinets - Full Height Door Base Kit with Double Trashcan Pullout



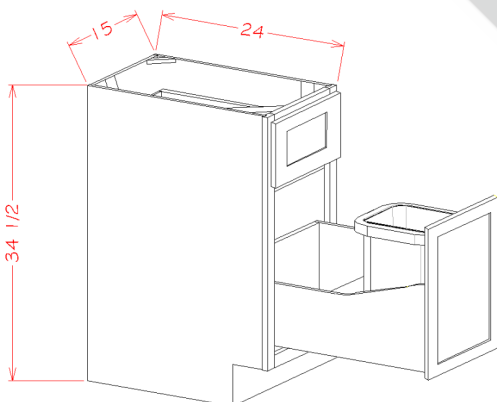
Model	Description	Width	Height	Depth
B18FHTCPO*	Cabinet Dimension	18	34½	24
	Door Dimension	17½	29	¾
	Pullout Dimension	15	20¾	21 ²¹ / ₃₂
	Trashcan Dimension	14 ³ / ₁₆	17 ⁷ / ₈	10½
B21FHTCPO*	Cabinet Dimension	21	34½	24
	Door Dimension	20½	29	¾
	Pullout Dimension	18	20¾	21 ²¹ / ₃₂
	Trashcan Dimension	14 ³ / ₁₆	17 ⁷ / ₈	10½

- Pullout is mounted to the cabinet floor and door.
- Full-extension slides with BLUMOTION soft-close (110 lb weight capacity).
- Double 35qt trashcan.
- Three boxes will be received when ordering this cabinet kit flat pack.

*Available in: **CAPITAL impressions** collection

34

Accessory Base Cabinets - Single Door Single Drawer Base Kit with Single Trashcan Pullout



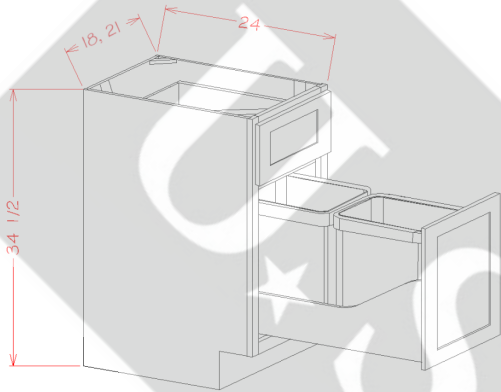
Model	Description	Width	Height	Depth
B15TCPO*	Cabinet Dimension	15	34½	24
	Door Dimension	14½	22½	¾
	Drawer Front	14½	6 ¼	¾
	Drawer Box	11	3 ¼	20 ³ / ₈
	Pullout Dimension	12	19½	21 ²¹ / ₃₂
	Trashcan Dimension	14 ³ / ₁₆	17 ⁷ / ₈	10½

- Pullout is mounted to the cabinet floor and door.
- Full-extension slides with BLUMOTION soft-close (110 lb weight capacity).
- Single 35qt trashcan.
- Two boxes will be received when ordering this cabinet kit flat pack.

*Available in: **CAPITAL impressions** collection

PRODUCT SPECIFICATIONS

Accessory Base Cabinets - Single Door Single Drawer Base Kit with Double Trashcan Pullout



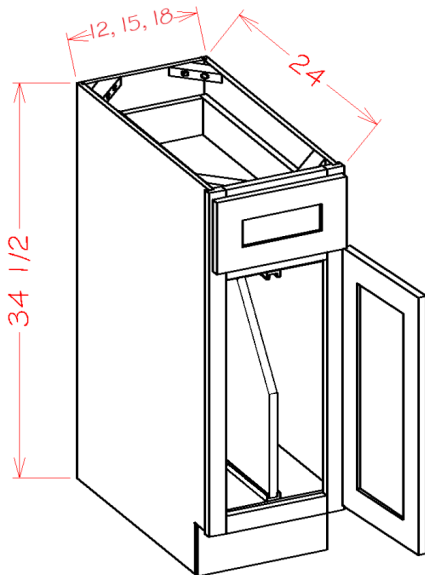
- Pullout is mounted to the cabinet floor and door.
- Full-extension slides with BLUMOTION soft-close (110 lb weight capacity).
- Double 35qt trashcan.
- Two boxes will be received when ordering this cabinet kit flat pack.

Model	Description	Width	Height	Depth
B18TCPO*	Cabinet Dimension	18	34½	24
	Door Dimension	17½	22½	¾
	Drawer Front	17½	6 ¼	¾
	Drawer Box	14	3 ¼	20¾
	Pullout Dimension	15	19½	21 ²¹ / ₃₂
B21TCPO*	Trashcan Dimension	14 ³ / ₁₆	17 ⁷ / ₈	10½
	Cabinet Dimension	21	34½	24
	Door Dimension	20½	22½	¾
	Drawer Front	20½	6 ¼	¾
	Drawer Box	17	3 ¼	20¾
B21TCPO*	Pullout Dimension	18	19½	21 ²¹ / ₃₂
	Trashcan Dimension	14 ³ / ₁₆	17 ⁷ / ₈	10½

*Available in: **CAPITAL impressions**
collection

35

Accessory Base Cabinets - Tray Divider Base Kit



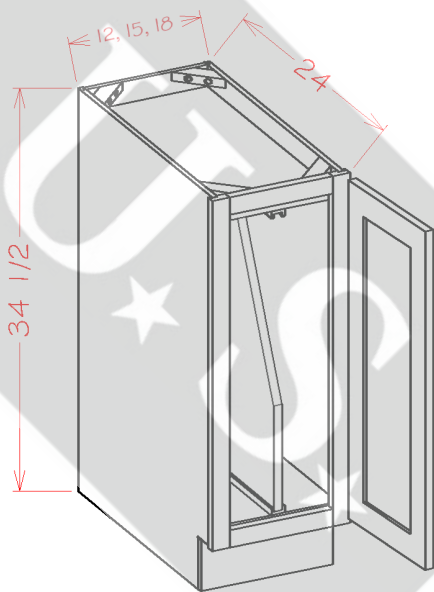
Model	Description	Width	Height	Depth
B12TD	Cabinet Dimension	12	34½	24
	Door Dimension	11½	22½	¾
	Drawer Front	11½	6¼	¾
	Drawer Box	8	3¼	20¾
	Tray Divider	¾	21	22½
B15TD*	Cabinet Dimension	15	34½	24
	Door Dimension	14½	22½	¾
	Drawer Front	14½	6¼	¾
	Drawer Box	11	3¼	20¾
B18TD*	Tray Divider	¾	21	22½
	Cabinet Dimension	18	34½	24
	Door Dimension	17½	22½	¾
	Drawer Front	17½	6¼	¾
B18TD*	Drawer Box	14	3¼	20¾
	Tray Divider	¾	21	22½

- B18TD Includes Two Dividers
- Two boxes will be received when ordering this cabinet kit flat pack.

*Available in: **CAPITAL impressions**
collection

PRODUCT SPECIFICATIONS

Accessory Base Cabinets - Full Height Tray Divider Base Kit



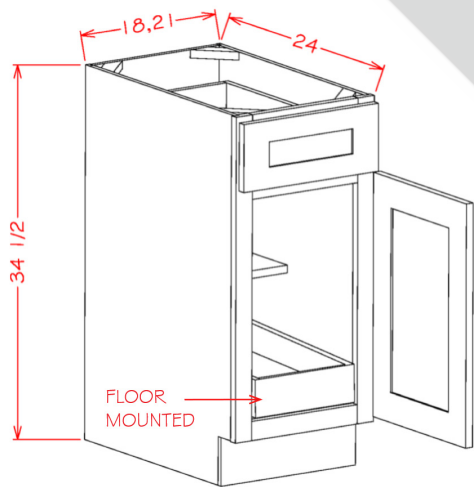
Model	Description	Width	Height	Depth
B12FHTD	Cabinet Dimension	12	34½	24
	Door Dimension	11½	29	¾
	Tray Divider	¾	27	22½
B15FHTD*	Cabinet Dimension	15	34½	24
	Door Dimension	14½	29	¾
	Tray Divider	¾	27	22½
B18FHTD*	Cabinet Dimension	18	34½	24
	Door Dimension	17½	29	¾
	Tray Divider	¾	27	22½

- B18FHTD Includes Two Dividers
- Three boxes will be received when ordering this cabinet kit flat pack.

*Available in: **CAPITAL impressions** collection

36

Accessory Base Cabinets - Single Door Single Drawer One Rollout Shelf Base Kit



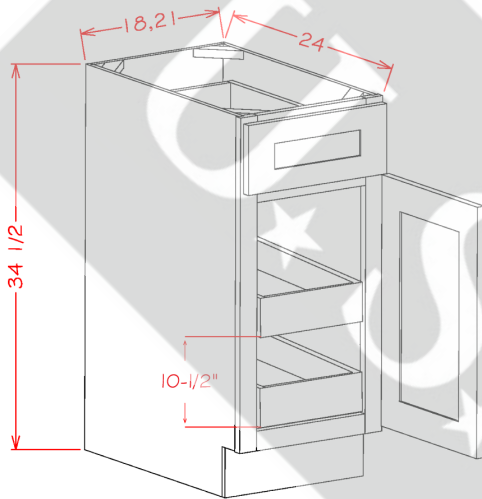
Model	Description	Width	Height	Depth
B181RS*	Cabinet Dimension	18	34½	24
	Door Dimension	17½	22½	¾
	Drawer Front	17½	6¼	¾
	Drawer Box	14	3¼	20¾
	Rollout Shelf	13¾	3¾	20¼
B211RS*	Cabinet Dimension	21	34½	24
	Door Dimension	20½	22½	¾
	Drawer Front	20½	6¼	¾
	Drawer Box	17	3¼	20¾
	Rollout Shelf	16¾	3¾	20¼

- Assembled cabinets with Rollout Shelf kits are ONLY installed as indicated in the line drawing
- Two boxes will be received when ordering this cabinet kit flat pack.
- Rollout Shelf glides are side mounted ball bearing with no soft close.
- Rollout Shelf Recommended Max Weight: 35lbs

*Available in: **CAPITAL impressions** collection

PRODUCT SPECIFICATIONS

Accessory Base Cabinets - Single Door Single Drawer Two Rollout Shelf Base Kit



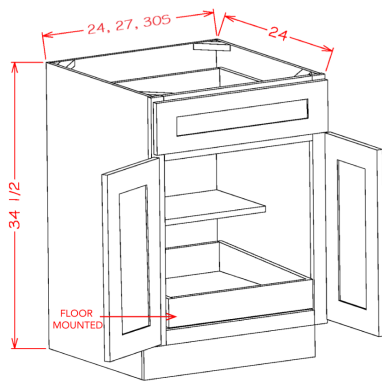
Model	Description	Width	Height	Depth
B182RS*	Cabinet Dimension	18	34½	24
	Door Dimension	17½	22½	¾
	Drawer Front	17½	6¼	¾
	Drawer Box	14	3¼	20¾
	Rollout Shelf	13¾	3¾	20⅞
B212RS*	Cabinet Dimension	21	34½	24
	Door Dimension	20½	22½	¾
	Drawer Front	20½	6¼	¾
	Drawer Box	17	3¼	20¾
	Rollout Shelf	16¾	3¾	20⅞

- Assembled cabinets with Rollout Shelf kits are ONLY installed as indicated in the line drawing
- Three boxes will be received when ordering this cabinet kit flat pack.
- Rollout Shelf glides are side mounted ball bearing with no soft close.
- Rollout Shelf Recommended Max Weight: 35lbs

*Available in: **CAPITAL impressions**
collection

37

Accessory Base Cabinets - Double Door Single Drawer One Rollout Shelf Base Kit



Model	Description	Width	Height	Depth
B241RS*	Cabinet Dimension	24	34½	24
	Door Dimension	11¾	22½	¾
	Drawer Front	23½	6¼	¾
	Drawer Box	20	3¼	20¾
	Rollout Shelf	19½	3¾	20⅞
B271RS	Cabinet Dimension	27	34½	24
	Door Dimension	13¾	22½	¾
	Drawer Front	26½	6¼	¾
	Drawer Box	23	3¼	20¾
	Rollout Shelf	22½	3¾	20⅞
B30S1RS*	Cabinet Dimension	30	34½	24
	Door Dimension	14¾	22½	¾
	Drawer Front	29½	6¼	¾
	Drawer Box	26	3¼	20¾
	Rollout Shelf	22½	3¾	20⅞

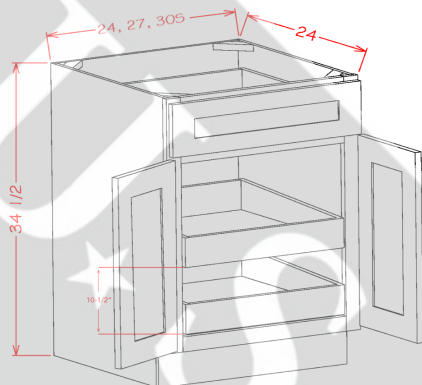
- Assembled cabinets with Rollout Shelf kits are ONLY installed as indicated in the line drawing
- Two boxes will be received when ordering this cabinet kit flat pack.
- Rollout Shelf glides are side mounted ball bearing with no soft close.
- Rollout Shelf Recommended Max Weight: 35lbs

*The B30S will be a running change from the B30 with two drawers.

*Available in: **CAPITAL impressions**
collection

PRODUCT SPECIFICATIONS

Accessory Base Cabinets - Double Door Single Drawer Two Rollout Shelf Base Kit



- Assembled cabinets with Rollout Shelf kits are ONLY installed as indicated in the line drawing
- Three boxes will be received when ordering this cabinet kit flat pack.
- Rollout Shelf glides are side mounted ball bearing with no soft close.
- Rollout Shelf Recommended Max Weight: 35lbs

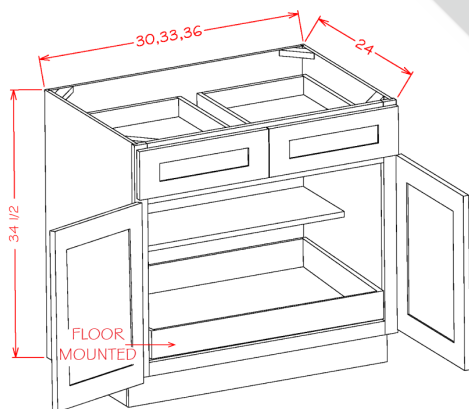
*Available in: **CAPITAL impressions** collection

Model	Description	Width	Height	Depth
B242RS	Cabinet Dimension	24	34½	24
	Door Dimension	11¾	22½	¾
	Drawer Front	23½	6¼	¾
	Drawer Box	20	3¼	20¾
	Rollout Shelf	19½	3¾	20⅞
B272RS	Cabinet Dimension	27	34½	24
	Door Dimension	13¼	22½	¾
	Drawer Front	26½	6¼	¾
	Drawer Box	23	3¼	20¾
	Rollout Shelf	22½	3¾	20⅞
B30S2RS*†	Cabinet Dimension	30	34½	24
	Door Dimension	14¾	22½	¾
	Drawer Front	29½	6¼	¾
	Drawer Box	26	3¼	20¾
	Rollout Shelf	22½	3¾	20⅞

†The B30S will be a running change from the B30 with two drawers.

38

Accessory Base Cabinets - Double Door Double Drawer One Rollout Shelf Base Kit



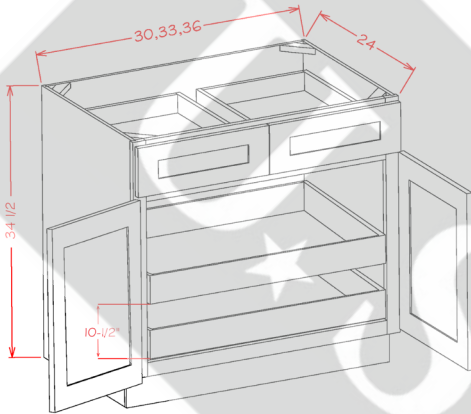
- Assembled cabinets with Rollout Shelf kits are ONLY installed as indicated in the line drawing
- Two boxes will be received when ordering this cabinet kit flat pack.
- Rollout Shelf glides are side mounted ball bearing with no soft close.
- Rollout Shelf Recommended Max Weight: 35lbs

*Available in: **CAPITAL impressions** collection

Model	Description	Width	Height	Depth
B301RS	Cabinet Dimension	30	34½	24
	Door Dimension	14¾	22½	¾
	Drawer Front	14¾	6¼	¾
	Drawer Box	12	3¼	20¾
	Rollout Shelf	25¾	3¾	20⅞
B331RS	Cabinet Dimension	33	34½	24
	Door Dimension	16¼	22½	¾
	Drawer Front	16¼	6¼	¾
	Drawer Box	13½	3¼	20¾
	Rollout Shelf	28¾	3¾	20⅞
B361RS*	Cabinet Dimension	36	34½	24
	Door Dimension	17¾	22½	¾
	Drawer Front	17¾	6¼	¾
	Drawer Box	15	3¼	20¾
	Rollout Shelf	31¾	3¾	20⅞

PRODUCT SPECIFICATIONS

Accessory Base Cabinets - Double Door Double Drawer Two Rollout Shelf Base Kit

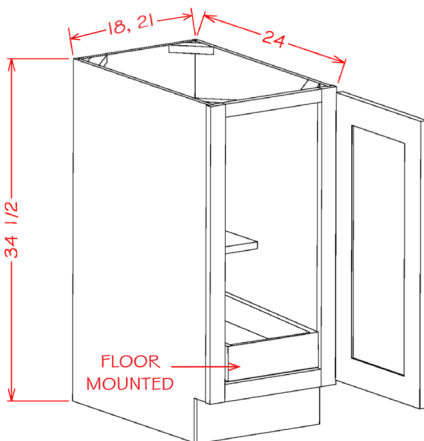


- Assembled cabinets with Rollout Shelf kits are ONLY installed as indicated in the line drawing
- Three boxes will be received when ordering this cabinet kit flat pack.
- Rollout Shelf glides are side mounted ball bearing with no soft close.
- Rollout Shelf Recommended Max Weight: 35lbs

Model	Description	Width	Height	Depth
B302RS	Cabinet Dimension	30	34½	24
	Door Dimension	14¾	22½	¾
	Drawer Front	14¾	6¼	¾
	Drawer Box	12	3¼	20¾
	Rollout Shelf	25¾	3¾	20⅞
B332RS	Cabinet Dimension	33	34½	24
	Door Dimension	16¼	22½	¾
	Drawer Front	16¼	6¼	¾
	Drawer Box	13½	3¼	20¾
	Rollout Shelf	28¾	3¾	20⅞
B362RS*	Cabinet Dimension	36	34½	24
	Door Dimension	17¾	22½	¾
	Drawer Front	17¾	6¼	¾
	Drawer Box	15	3¼	20¾
	Rollout Shelf	31¾	3¾	20⅞

*Available in: **CAPITAL impressions** collection

Accessory Base Cabinets - Single Full Height Door One Rollout Shelf Base Kit



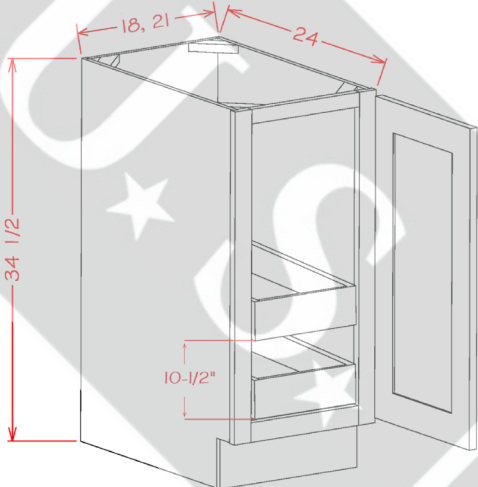
Model	Description	Width	Height	Depth
B18FH1RS*	Cabinet Dimension	18	34½	24
	Door Dimension	17½	29	¾
	Rollout Shelf	13¾	3¾	20⅞
B21FH1RS*	Cabinet Dimension	21	34½	24
	Door Dimension	20½	29	¾
	Rollout Shelf	16¾	3¾	20⅞

- Assembled cabinets with Rollout Shelf kits are ONLY installed as indicated in the line drawing
- Three boxes will be received when ordering this cabinet kit flat pack.
- Rollout Shelf glides are side mounted ball bearing with no soft close.
- Rollout Shelf Recommended Max Weight: 35lbs

*Available in: **CAPITAL impressions** collection

PRODUCT SPECIFICATIONS

Accessory Base Cabinets - Single Full Height Door Two Rollout Shelf Base Kit



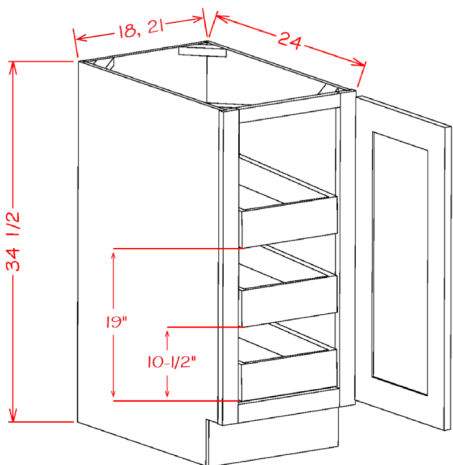
Model	Description	Width	Height	Depth
B18FH2RS*	Cabinet Dimension	18	34½	24
	Door Dimension	17½	29	¾
	Rollout Shelf	13¾	3¾	20⅞
B21FH2RS*	Cabinet Dimension	21	34½	24
	Door Dimension	20½	29	¾
	Rollout Shelf	16¾	3¾	20⅞

- Assembled cabinets with Rollout Shelf kits are ONLY installed as indicated in the line drawing
- Four boxes will be received when ordering this cabinet kit flat pack.
- Rollout Shelf glides are side mounted ball bearing with no soft close.
- Rollout Shelf Recommended Max Weight: 35lbs

*Available in: **CAPITAL impressions** collection

40

Accessory Base Cabinets - Single Full Height Door Three Rollout Shelf Base Kit



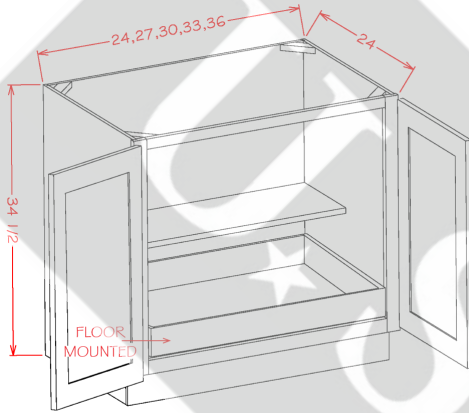
Model	Description	Width	Height	Depth
B18FH3RS*	Cabinet Dimension	18	34½	24
	Door Dimension	17½	29	¾
	Rollout Shelf	13¾	3¾	20⅞
B21FH3RS*	Cabinet Dimension	21	34½	24
	Door Dimension	20½	29	¾
	Rollout Shelf	16¾	3¾	20⅞

- Assembled cabinets with Rollout Shelf kits are ONLY installed as indicated in the line drawing
- Five boxes will be received when ordering this cabinet kit flat pack.
- Rollout Shelf glides are side mounted ball bearing with no soft close.
- Rollout Shelf Recommended Max Weight: 35lbs

*Available in: **CAPITAL impressions** collection

PRODUCT SPECIFICATIONS

Accessory Base Cabinets - Double Full Height Door One Rollout Shelf Base Kit

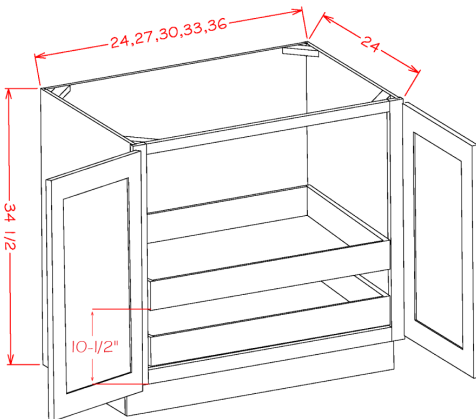


- Assembled cabinets with Rollout Shelf kits are ONLY installed as indicated in the line drawing
- Three boxes will be received when ordering this cabinet kit flat pack.
- Rollout Shelf glides are side mounted ball bearing with no soft close.
- Rollout Shelf Recommended Max Weight: 35lbs

Model	Description	Width	Height	Depth
B24FH1RS*	Cabinet Dimension	24	34½	24
	Door Dimension	11¾	29	¾
	Rollout Shelf	19½	3⅜	20⅞
B27FH1RS	Cabinet Dimension	27	34½	24
	Door Dimension	13¾	29	¾
	Rollout Shelf	22½	3⅜	20⅞
B30FH1RS*	Cabinet Dimension	30	34½	24
	Door Dimension	14¾	29	¾
	Rollout Shelf	25⅜	3⅜	20⅞
B33FH1RS	Cabinet Dimension	33	34½	24
	Door Dimension	16¾	29	¾
	Rollout Shelf	28⅜	3⅜	20⅞
B36FH1RS*	Cabinet Dimension	36	34½	24
	Door Dimension	17¾	29	¾
	Rollout Shelf	31⅜	3⅜	20⅞

*Available in: **CAPITAL impressions**
collection

Accessory Base Cabinets - Double Full Height Door Two Rollout Shelf Base Kit



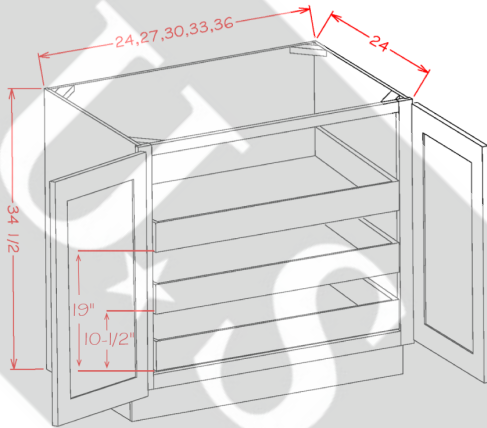
- Assembled cabinets with Rollout Shelf kits are ONLY installed as indicated in the line drawing
- Four boxes will be received when ordering this cabinet kit flat pack.
- Rollout Shelf glides are side mounted ball bearing with no soft close.
- Rollout Shelf Recommended Max Weight: 35lbs

Model	Description	Width	Height	Depth
B24FH2RS*	Cabinet Dimension	24	34½	24
	Door Dimension	11¾	29	¾
	Rollout Shelf	19½	3⅜	20⅞
B27FH2RS	Cabinet Dimension	27	34½	24
	Door Dimension	13¾	29	¾
	Rollout Shelf	22½	3⅜	20⅞
B30FH2RS*	Cabinet Dimension	30	34½	24
	Door Dimension	14¾	29	¾
	Rollout Shelf	25⅜	3⅜	20⅞
B33FH2RS	Cabinet Dimension	33	34½	24
	Door Dimension	16¾	29	¾
	Rollout Shelf	28⅜	3⅜	20⅞
B36FH2RS*	Cabinet Dimension	36	34½	24
	Door Dimension	17¾	29	¾
	Rollout Shelf	31⅜	3⅜	20⅞

*Available in: **CAPITAL impressions**
collection

PRODUCT SPECIFICATIONS

Accessory Base Cabinets - Double Full Height Door Three Rollout Shelf Base Kit



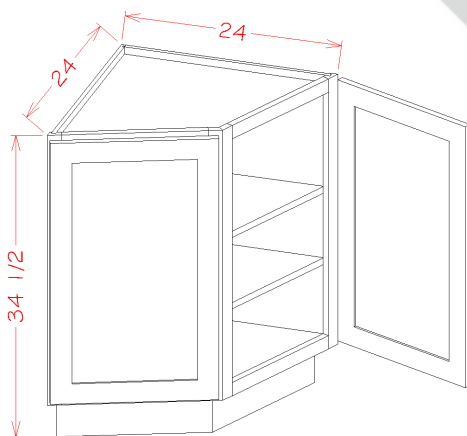
- Assembled cabinets with Rollout Shelf kits are ONLY installed as indicated in the line drawing
- Five boxes will be received when ordering this cabinet kit flat pack.
- Rollout Shelf glides are side mounted ball bearing with no soft close.
- Rollout Shelf Recommended Max Weight: 35lbs

Model	Description	Width	Height	Depth
B24FH3RS*	Cabinet Dimension	24	34½	24
	Door Dimension	11¾	29	¾
	Rollout Shelf	19½	3¾	20 ⁷ / ₁₆
B27FH3RS	Cabinet Dimension	27	34½	24
	Door Dimension	13¾	29	¾
	Rollout Shelf	22½	3¾	20 ⁷ / ₁₆
B30FH3RS*	Cabinet Dimension	30	34½	24
	Door Dimension	14¾	29	¾
	Rollout Shelf	25¾	3¾	20 ⁷ / ₁₆
B33FH3RS	Cabinet Dimension	33	34½	24
	Door Dimension	16¾	29	¾
	Rollout Shelf	28¾	3¾	20 ⁷ / ₁₆
B36FH3RS*	Cabinet Dimension	36	34½	24
	Door Dimension	17¾	29	¾
	Rollout Shelf	31¾	3¾	20 ⁷ / ₁₆

*Available in: **CAPITAL impressions** collection

42

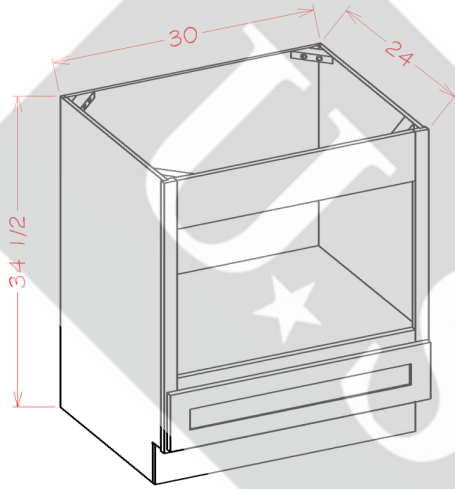
Specialty Bases - Base End Cabinet



Model	Description	Width	Height	Depth
BEC24	Cabinet Dimension	30	34½	24
	Door Dimension	17½	29	¾

PRODUCT SPECIFICATIONS

Specialty Bases - Base Microwave Cabinet

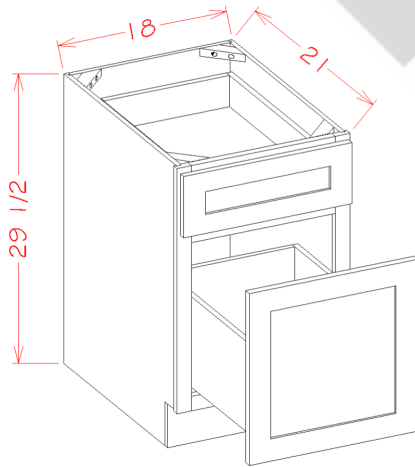


Model	Description	Width	Height	Depth
BMW30*	Cabinet Dimension	30	34½	24
	Microwave Opening	26½	16½	23
	Drawer Front	29½	6¼	¾
	Drawer Box	26	3¾	21

- Microwave opening trimmable to 20⅞" H.
- Natural Interior

*Available in: **CAPITAL impressions**
collection

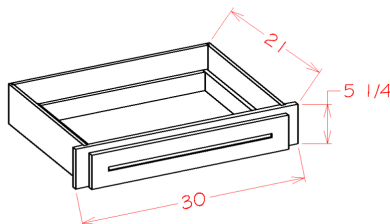
Specialty Bases - Drawer File Base



Model	Description	Width	Height	Depth
DFB18*	Cabinet Dimension	18	29½	21
	Top Drawer Front	17½	6¼	¾
	Bottom Drawer Front	17½	17½	¾
	Top Drawer Box	14	3¾	17¾
	Bottom Drawer Box	14	9¼	17¾

*Available in: **CAPITAL impressions**
collection

Specialty Bases - Desk Knee Drawer



Model	Description	Width	Height	Depth
DKD30	Cabinet Dimension	30	5¼	21
	Drawer Front	27	4½	¾
	Drawer Box	23	3¼	17¾

- Trimmable to 28"W.

PRODUCT SPECIFICATIONS

30" High Wall Cabinets - Single Door *2 adjustable Shelves

Model	Description	Width	Height	Depth
W0930	Cabinet Dimension	9	30	12
	Door Dimension	8½	29	¾
W1230	Cabinet Dimension	12	30	12
	Door Dimension	11½	29	¾
W1530	Cabinet Dimension	15	30	12
	Door Dimension	14½	29	¾
W1830*	Cabinet Dimension	18	30	12
	Door Dimension	17½	29	¾
W2130	Cabinet Dimension	21	30	12
	Door Dimension	20½	29	¾

*Available in: **CAPITAL impressions** collection

44

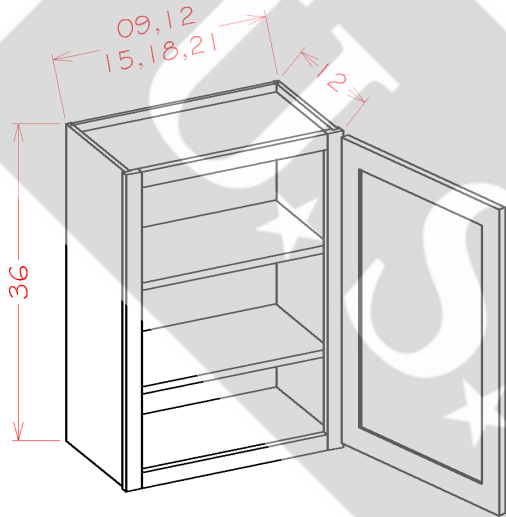
30" High Wall Cabinets - Double Door *2 adjustable Shelves

Model	Description	Width	Height	Depth
W2430*	Cabinet Dimension	24	30	12
	Door Dimension	11¾	29	¾
W2730	Cabinet Dimension	27	30	12
	Door Dimension	13¼	29	¾
W3030*	Cabinet Dimension	30	30	12
	Door Dimension	14¾	29	¾
W3330	Cabinet Dimension	33	30	12
	Door Dimension	16¼	29	¾
W3630	Cabinet Dimension	36	30	12
	Door Dimension	17¾	29	¾

*Available in: **CAPITAL impressions** collection

PRODUCT SPECIFICATIONS

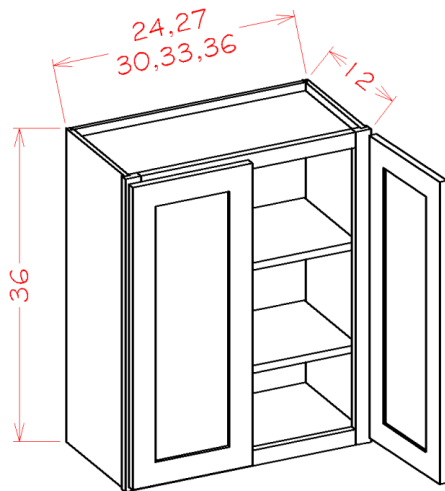
36" High Wall Cabinets - Single Door *2 adjustable Shelves



Model	Description	Width	Height	Depth
W0936	Cabinet Dimension	9	36	12
	Door Dimension	8½	35	¾
W1236	Cabinet Dimension	12	36	12
	Door Dimension	11½	35	¾
W1536	Cabinet Dimension	15	36	12
	Door Dimension	14½	35	¾
W1836	Cabinet Dimension	18	36	12
	Door Dimension	17½	35	¾
W2136	Cabinet Dimension	21	36	12
	Door Dimension	20½	35	¾

45

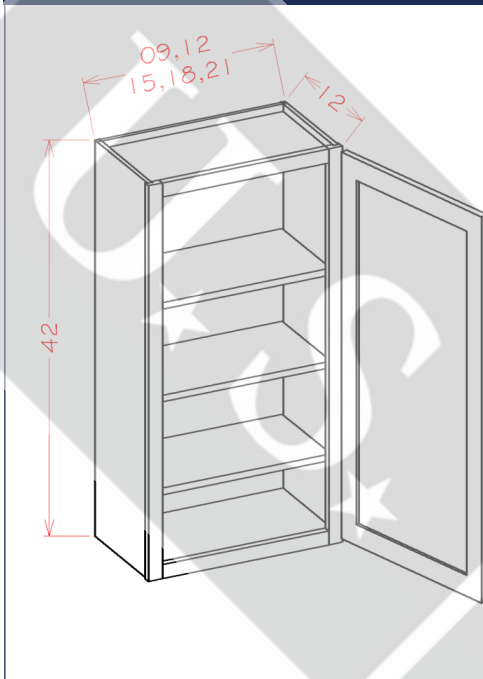
36" High Wall Cabinets - Double Door *2 adjustable Shelves



Model	Description	Width	Height	Depth
W2436	Cabinet Dimension	24	36	12
	Door Dimension	11¾	35	¾
W2736	Cabinet Dimension	27	36	12
	Door Dimension	13¼	35	¾
W3036	Cabinet Dimension	30	36	12
	Door Dimension	14¾	35	¾
W3336	Cabinet Dimension	33	36	12
	Door Dimension	16¼	35	¾
W3636	Cabinet Dimension	36	36	12
	Door Dimension	17¾	35	¾

PRODUCT SPECIFICATIONS

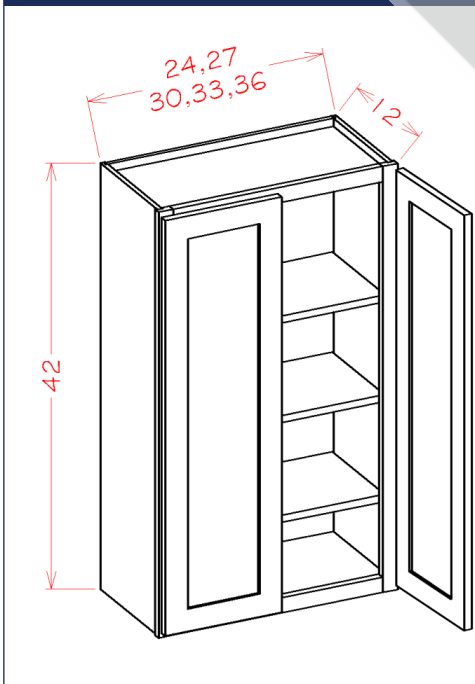
42" High Wall Cabinets - Single Door *3 Adjustable Shelves



Model	Description	Width	Height	Depth
W0942	Cabinet Dimension	9	42	12
	Door Dimension	8½	41	¾
W1242	Cabinet Dimension	12	42	12
	Door Dimension	11½	41	¾
W1542	Cabinet Dimension	15	42	12
	Door Dimension	14½	41	¾
W1842	Cabinet Dimension	18	42	12
	Door Dimension	17½	41	¾
W2142	Cabinet Dimension	21	42	12
	Door Dimension	20½	41	¾

46

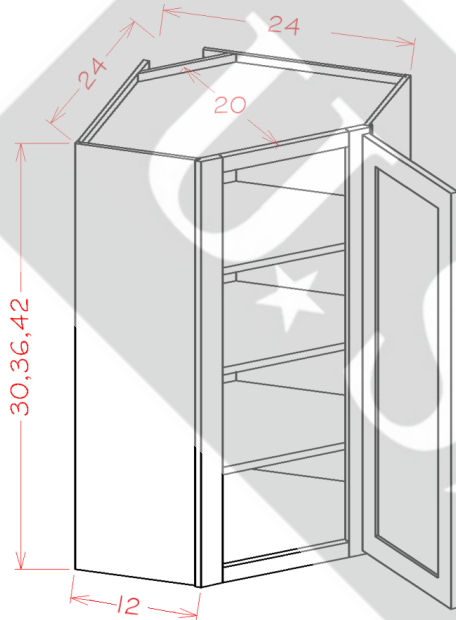
42" High Wall Cabinets - Double Door *3 Adjustable Shelves



Model	Description	Width	Height	Depth
W2442	Cabinet Dimension	24	42	12
	Door Dimension	11¾	41	¾
W2742	Cabinet Dimension	27	42	12
	Door Dimension	13¼	41	¾
W3042	Cabinet Dimension	30	42	12
	Door Dimension	14¾	41	¾
W3342	Cabinet Dimension	33	42	12
	Door Dimension	16¼	41	¾
W3642	Cabinet Dimension	36	42	12
	Door Dimension	17¾	41	¾

PRODUCT SPECIFICATIONS

Diagonal Corner Wall Cabinets

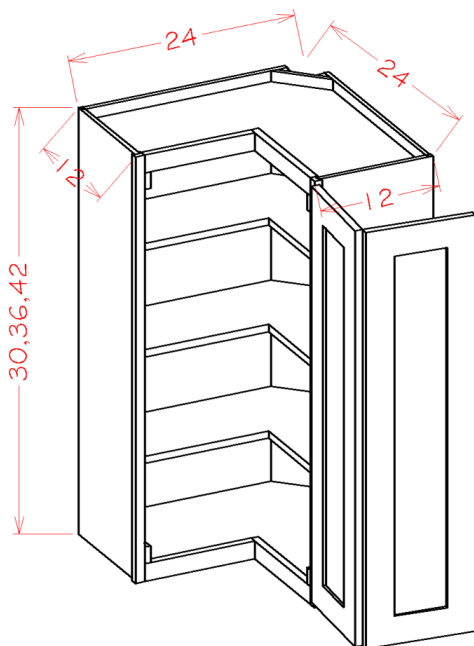


Model	Description	Width	Height	Depth
DCW2430	Cabinet Dimension	24	30	12
	Door Dimension	15 $\frac{1}{4}$	29	$\frac{3}{4}$
DCW2436	Cabinet Dimension	24	36	12
	Door Dimension	15 $\frac{1}{4}$	35	$\frac{3}{4}$
DCW2442	Cabinet Dimension	24	42	12
	Door Dimension	15 $\frac{1}{4}$	41	$\frac{3}{4}$

- DCW Inside Openings are 12 $\frac{1}{8}$ "W.
- 30 and 36" H cabinets only have two shelves.

47

Wall Easy Reach

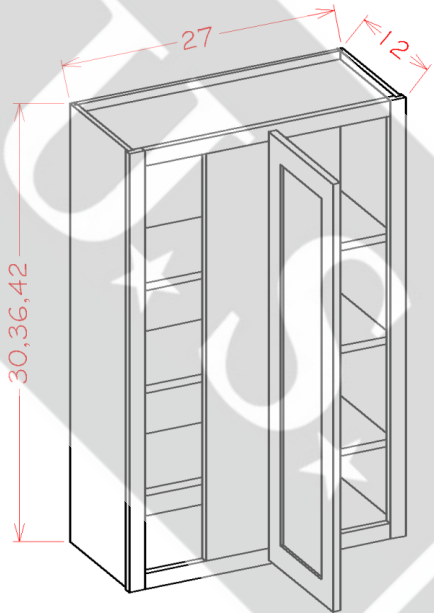


Model	Description	Width	Height	Depth
WER2430	Cabinet Dimension	24	30	12
	Door Dimension	10 $\frac{5}{8}$	29	$\frac{3}{4}$
WER2436	Cabinet Dimension	24	36	12
	Door Dimension	10 $\frac{5}{8}$	35	$\frac{3}{4}$
WER2442	Cabinet Dimension	24	42	12
	Door Dimension	10 $\frac{5}{8}$	41	$\frac{3}{4}$

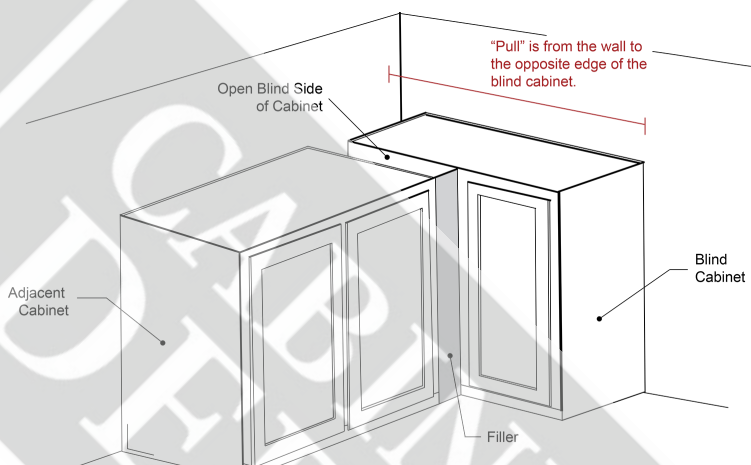
- 30 and 36" H cabinets only have two shelves.

PRODUCT SPECIFICATIONS

Wall Blind Cabinets



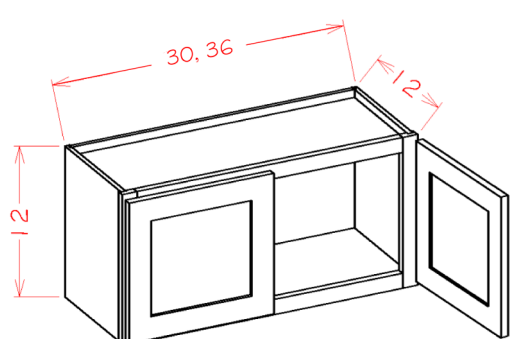
Model	Description	Width	Height	Depth
WBC2730	Cabinet Dimension	27	30	12
	Door Dimension	12½	29	¾
	Door Opening	7¾	26½	12
WBC2736	Cabinet Dimension	27	36	12
	Door Dimension	12½	35	¾
	Door Opening	7¾	32½	12
WBC2742	Cabinet Dimension	27	42	12
	Door Dimension	12½	41	¾
	Door Opening	7¾	38½	12



Box Size	Min	Max	Stile
27	28	31	8

- Must Use Filler (not supplied).

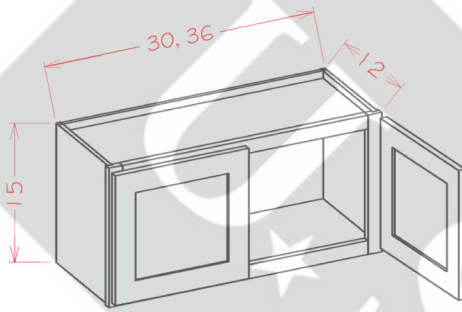
Bridge Cabinets - 12" High



Model	Description	Width	Height	Depth
W3012	Cabinet Dimension	30	12	12
	Door Dimension	14¾	11	¾
W3612	Cabinet Dimension	36	12	12
	Door Dimension	17¾	11	¾

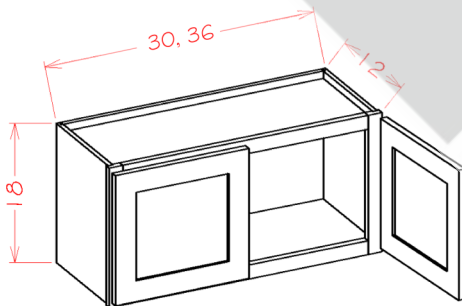
PRODUCT SPECIFICATIONS

Bridge Cabinets - 15" High



Model	Description	Width	Height	Depth
W3015	Cabinet Dimension	30	15	12
	Door Dimension	14 ³ / ₄	14	³ / ₄
W3615	Cabinet Dimension	36	15	12
	Door Dimension	17 ³ / ₄	14	³ / ₄

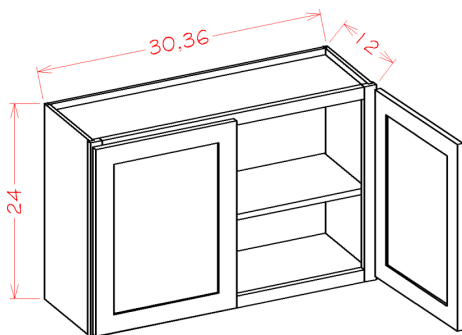
Bridge Cabinets - 18" High



Model	Description	Width	Height	Depth
W3018*	Cabinet Dimension	30	18	12
	Door Dimension	14 ³ / ₄	17	³ / ₄
W3618	Cabinet Dimension	36	18	12
	Door Dimension	17 ³ / ₄	17	³ / ₄

*Available in: **CAPITAL
impressions**
collection

Bridge Cabinets - 24" High

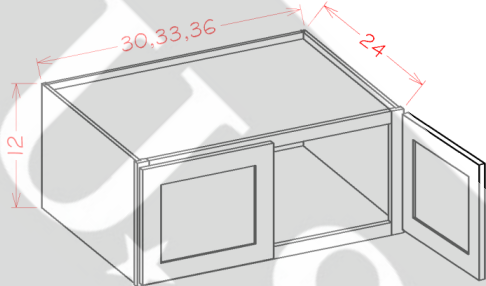


Model	Description	Width	Height	Depth
W3024	Cabinet Dimension	30	24	12
	Door Dimension	14 ³ / ₄	23	³ / ₄
W3624	Cabinet Dimension	36	24	12
	Door Dimension	17 ³ / ₄	23	³ / ₄

- All 24"H cabinets include one inner shelf.

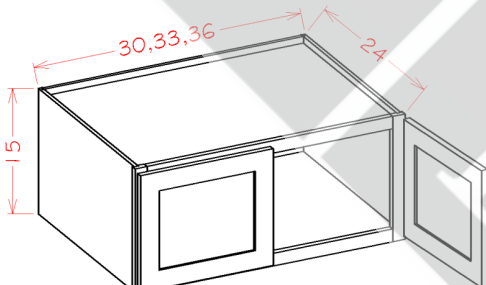
PRODUCT SPECIFICATIONS

Wall Refrigerator Cabinets - 12" H (24" deep)



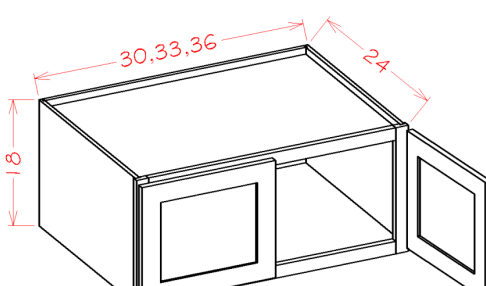
Model	Description	Width	Height	Depth
W301224	Cabinet Dimension	30	12	24
	Door Dimension	14 ³ / ₄	11	³ / ₄
W331224	Cabinet Dimension	33	12	24
	Door Dimension	16 ¹ / ₂	11	³ / ₄
W361224	Cabinet Dimension	36	12	24
	Door Dimension	17 ³ / ₄	11	³ / ₄

Wall Refrigerator Cabinets - 15" H (24" deep)



Model	Description	Width	Height	Depth
W301524	Cabinet Dimension	30	15	24
	Door Dimension	14 ³ / ₄	14	³ / ₄
W331524	Cabinet Dimension	33	15	24
	Door Dimension	16 ¹ / ₂	14	³ / ₄
W361524	Cabinet Dimension	36	15	24
	Door Dimension	17 ³ / ₄	14	³ / ₄

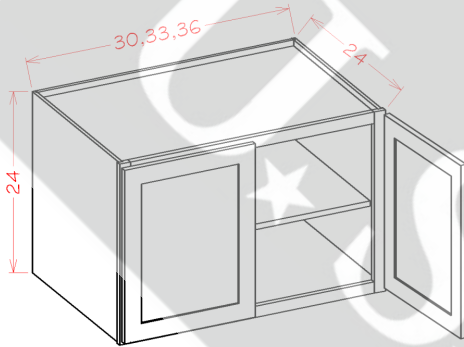
Wall Refrigerator Cabinets - 18" H (24" deep)



Model	Description	Width	Height	Depth
W301824	Cabinet Dimension	30	18	24
	Door Dimension	14 ³ / ₄	17	³ / ₄
W331824	Cabinet Dimension	33	18	24
	Door Dimension	16 ¹ / ₂	17	³ / ₄
W361824	Cabinet Dimension	36	18	24
	Door Dimension	17 ³ / ₄	17	³ / ₄

PRODUCT SPECIFICATIONS

Wall Refrigerator Cabinets - 24" H (24" deep)

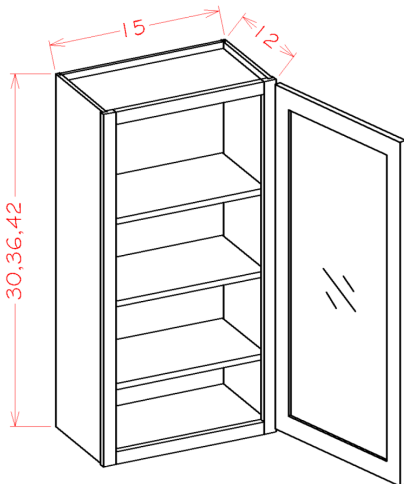


Model	Description	Width	Height	Depth
W302424	Cabinet Dimension	30	24	24
	Door Dimension	14¾	23	¾
W332424	Cabinet Dimension	33	24	24
	Door Dimension	16½	23	¾
W362424	Cabinet Dimension	36	24	24
	Door Dimension	17¾	23	¾

- All 24"H cabinets include one inner shelf.

51

Glass Door Wall Cabinets - Single Door



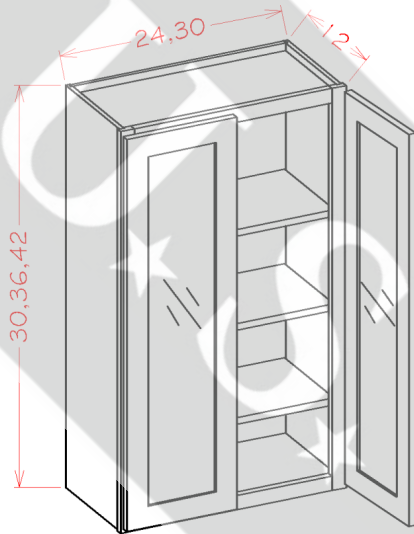
Model	Description	Width	Height	Depth
W1530GD*	Cabinet Dimension	15	30	12
	Door Dimension	14½	29	¾
W1536GD	Cabinet Dimension	15	36	12
	Door Dimension	14½	35	¾
W1542GD	Cabinet Dimension	15	42	12
	Door Dimension	14½	41	¾

- These cabinets do not come with mullions or glass.
- The interior is painted/stained to match the exterior.

*Available in: **CAPITAL
impressions**
collection

PRODUCT SPECIFICATIONS

Glass Door Wall Cabinets - Double Door



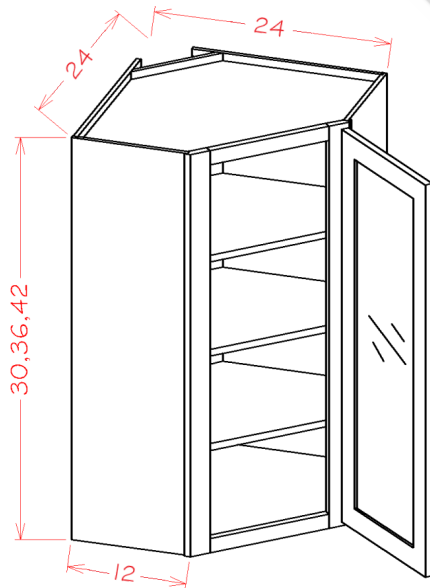
Model	Description	Width	Height	Depth
W2430GD*	Cabinet Dimension	24	30	12
	Door Dimension	11 $\frac{3}{4}$	29	$\frac{3}{4}$
W2436GD	Cabinet Dimension	24	36	12
	Door Dimension	11 $\frac{3}{4}$	35	$\frac{3}{4}$
W2442GD	Cabinet Dimension	24	42	12
	Door Dimension	11 $\frac{3}{4}$	41	$\frac{3}{4}$
W3030GD	Cabinet Dimension	30	30	12
	Door Dimension	14 $\frac{3}{4}$	29	$\frac{3}{4}$
W3036GD	Cabinet Dimension	30	36	12
	Door Dimension	14 $\frac{3}{4}$	35	$\frac{3}{4}$
W3042GD	Cabinet Dimension	30	42	12
	Door Dimension	14 $\frac{3}{4}$	41	$\frac{3}{4}$

- These cabinets do not come with mullions or glass.
- The interior is painted/stained to match the exterior.

*Available in: **CAPITAL**
impressions
collection

52

Glass Door Diagonal Wall Cabinet

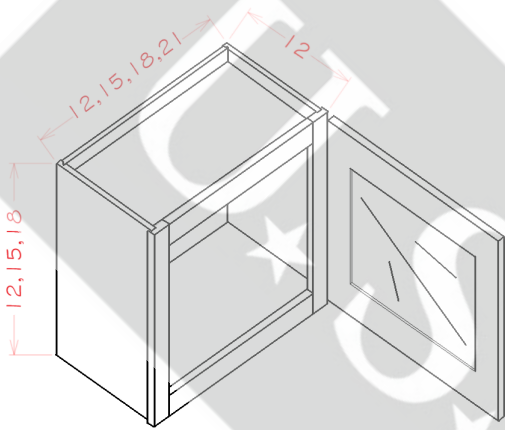


Model	Description	Width	Height	Depth
DCW2430GD	Cabinet Dimension	24	30	12
	Door Dimension	15 $\frac{1}{4}$	29	$\frac{3}{4}$
DCW2436GD	Cabinet Dimension	24	36	12
	Door Dimension	15 $\frac{1}{4}$	35	$\frac{3}{4}$
DCW2442GD	Cabinet Dimension	24	42	12
	Door Dimension	15 $\frac{1}{4}$	41	$\frac{3}{4}$

- These cabinets do not come with mullions or glass.
- The interior is painted/stained to match the exterior.
- DCW Inside Openings are 12 $\frac{1}{8}$ "W.-

PRODUCT SPECIFICATIONS

Glass Door Wall Stacker Cabinets - Single Door

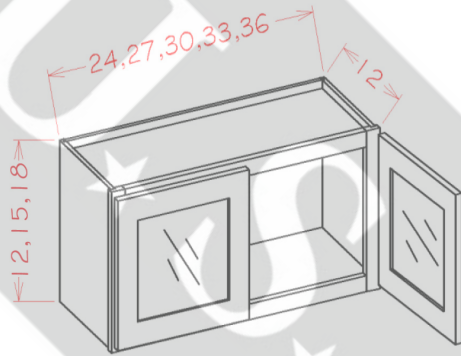


Model	Description	Width	Height	Depth
W1212GD	Cabinet Dimension	12	12	12
	Door Dimension	11½	11	¾
W1512GD	Cabinet Dimension	15	12	12
	Door Dimension	14½	11	¾
W1812GD	Cabinet Dimension	18	12	12
	Door Dimension	17½	11	¾
W2112GD	Cabinet Dimension	21	12	12
	Door Dimension	20½	11	¾
W1215GD	Cabinet Dimension	12	15	12
	Door Dimension	11½	14	¾
W1515GD	Cabinet Dimension	15	15	12
	Door Dimension	14½	14	¾
W1815GD	Cabinet Dimension	18	15	12
	Door Dimension	17½	14	¾
W2115GD	Cabinet Dimension	21	15	12
	Door Dimension	20½	14	¾
W1218GD	Cabinet Dimension	12	18	12
	Door Dimension	11½	17	¾
W1518GD	Cabinet Dimension	15	18	12
	Door Dimension	14½	17	¾
W1818GD	Cabinet Dimension	18	18	12
	Door Dimension	17½	17	¾
W2118GD	Cabinet Dimension	21	18	12
	Door Dimension	20½	17	¾

- These cabinets do not come with mullions or glass.
- The interior is painted/stained to match the exterior.

PRODUCT SPECIFICATIONS

Glass Door Wall Stacker Cabinets - Double Door

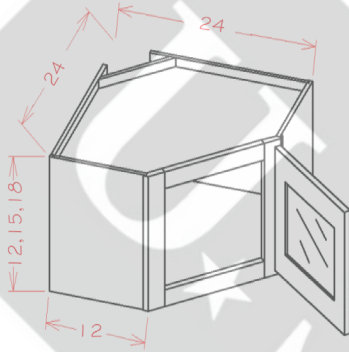


Model	Description	Width	Height	Depth
W2412GD	Cabinet Dimension	24	12	12
	Door Dimension	11 ³ / ₄	11	³ / ₄
W2712GD	Cabinet Dimension	27	12	12
	Door Dimension	13 ¹ / ₄	11	³ / ₄
W3012GD	Cabinet Dimension	30	12	12
	Door Dimension	14 ³ / ₄	11	³ / ₄
W3312GD	Cabinet Dimension	33	12	12
	Door Dimension	16 ¹ / ₄	11	³ / ₄
W3612GD	Cabinet Dimension	36	12	12
	Door Dimension	17 ³ / ₄	11	³ / ₄
W2415GD	Cabinet Dimension	24	15	12
	Door Dimension	11 ³ / ₄	14	³ / ₄
W2715GD	Cabinet Dimension	27	15	12
	Door Dimension	13 ¹ / ₄	14	³ / ₄
W3015GD	Cabinet Dimension	30	15	12
	Door Dimension	14 ³ / ₄	14	³ / ₄
W3315GD	Cabinet Dimension	33	15	12
	Door Dimension	16 ¹ / ₄	14	³ / ₄
W3615GD	Cabinet Dimension	36	15	12
	Door Dimension	17 ³ / ₄	14	³ / ₄
W2418GD	Cabinet Dimension	24	18	12
	Door Dimension	11 ³ / ₄	17	³ / ₄
W2718GD	Cabinet Dimension	27	18	12
	Door Dimension	13 ¹ / ₄	17	³ / ₄
W3018GD	Cabinet Dimension	30	18	12
	Door Dimension	14 ³ / ₄	17	³ / ₄
W3318GD	Cabinet Dimension	33	18	12
	Door Dimension	16 ¹ / ₄	17	³ / ₄
W3618GD	Cabinet Dimension	36	18	12
	Door Dimension	17 ³ / ₄	17	³ / ₄

- These cabinets do not come with mullions or glass.
- The interior is painted/stained to match the exterior.

PRODUCT SPECIFICATIONS

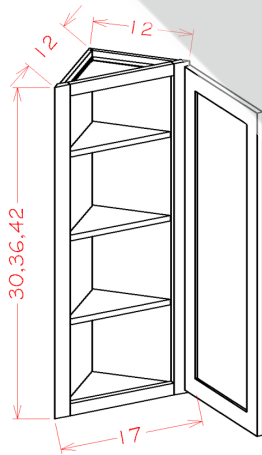
Glass Door Diagonal Wall Stacker Cabinets 12" H



Model	Description	Width	Height	Depth
DCW2412GD	Cabinet Dimension	24	12	12
	Door Dimension	15¼	11	¾
DCW2415GD	Cabinet Dimension	24	15	12
	Door Dimension	15¼	14	¾
DCW2418GD	Cabinet Dimension	24	18	12
	Door Dimension	15¼	17	¾

- These cabinets do not come with mullions or glass.
- The interior is painted/stained to match the exterior.

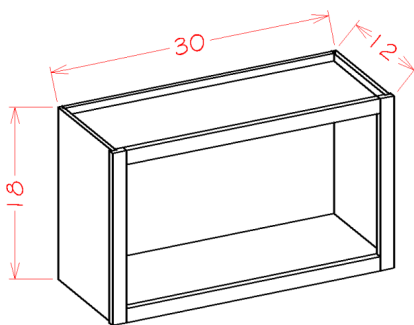
Specialty Walls - Angle Wall



Model	Description	Width	Height	Depth
AW1230	Cabinet Dimension	12	30	12
	Door Dimension	16⅞	29	¾
AW1236	Cabinet Dimension	12	36	12
	Door Dimension	16⅞	35	¾
AW1242	Cabinet Dimension	12	42	12
	Door Dimension	16⅞	41	¾

- Cabinet frame is 17"W.

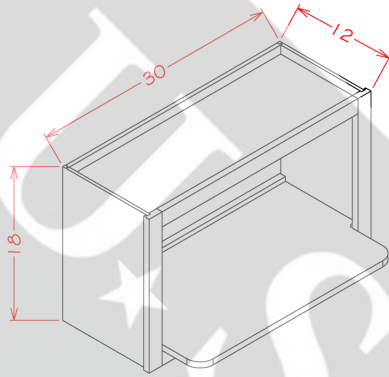
Specialty Walls - Wall Open Cabinet



Model	Description	Width	Height	Depth
WOC3018	Cabinet Dimension	30	18	12
	No Doors	N/A	N/A	N/A

PRODUCT SPECIFICATIONS

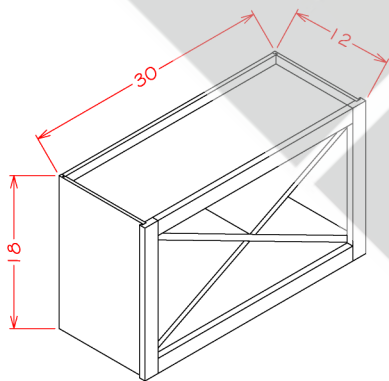
Specialty Walls- Wall Microwave Cabinet Kits



Model	Description	Width	Height	Depth
WMS3018	Cabinet Dimension	30	18	12
	Shelf Dimension	26½	¾	17

- Two boxes will be received when ordering this cabinet kit flat pack.
- Shelf insert available for individual purchase, SKU: WMSSHELF

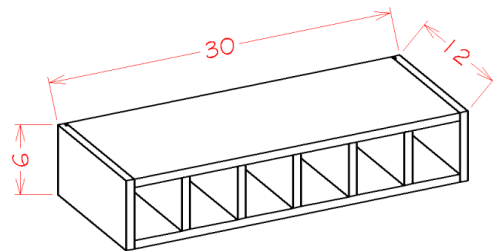
Specialty Walls - Wall X Rack Cabinet Kit



Model	Description	Width	Height	Depth
WXR3018	Cabinet Dimension	30	18	12
	Shelf Dimension	26½	14½	11

- Two boxes will be received when ordering this cabinet kit flat pack.
- Shelf insert available for individual purchase, SKU: WXRSHLF

Wall Accessory Cabinets - Wine Cubby

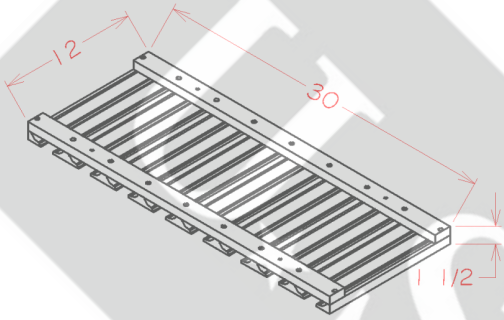


Model	Description	Width	Height	Depth
WWC630	Cabinet Dimension	30	6	12

- Fits 6 bottles.

PRODUCT SPECIFICATIONS

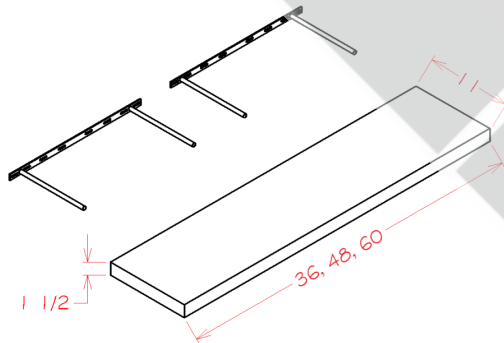
Specialty Walls - Stem Glass Holder



Model	Description	Width	Height	Depth
SGH30	Dimension	30	1½	12

- Allows for stemmed glasses with bases up to 3"W.

Specialty Walls - Floating Shelves

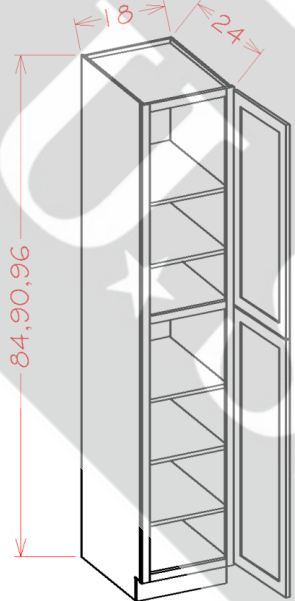


Model	Description	Width	Height	Depth
FS36	Dimension	36	1½	11
FS48	Dimension	48	1½	11
FS60	Dimension	60	1½	11

- 36"W floating shelf only has one mounting bracket.
- Recommended Max Weight: 25lbs

PRODUCT SPECIFICATIONS

Utility Cabinets - Two Doors



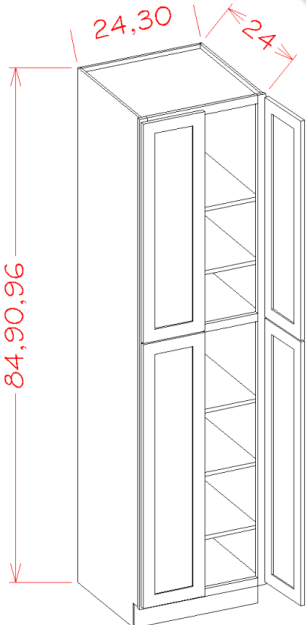
Model	Description	Width	Height	Depth
U188424*	Cabinet Dimension	18	84	24
	Top Door Dimension	17½	29	¾
	Bottom Door Dimension	17½	49¼	¾
U189024*	Cabinet Dimension	18	90	24
	Top Door Dimension	17½	35	¾
	Bottom Door Dimension	17½	49¼	¾
U189624*	Cabinet Dimension	18	96	24
	Top Door Dimension	17½	41	¾
	Bottom Door Dimension	17½	49¼	¾

- Shaker, Oxford & Torrance doors have a horizontal rail in the center of the bottom door.

*Available in: **CAPITAL impressions** collection

58

Utility Cabinets - Four Doors

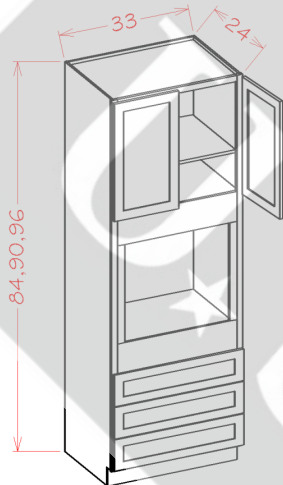


Model	Description	Width	Height	Depth
U248424	Cabinet Dimension	24	84	24
	Top Door Dimension	11¾	29	¾
	Bottom Door Dimension	11¾	49¼	¾
U249024	Cabinet Dimension	24	90	24
	Top Door Dimension	11¾	35	¾
	Bottom Door Dimension	11¾	49¼	¾
U249624	Cabinet Dimension	24	96	24
	Top Door Dimension	11¾	41	¾
	Bottom Door Dimension	11¾	49¼	¾
U308424	Cabinet Dimension	30	84	24
	Top Door Dimension	14¾	29	¾
	Bottom Door Dimension	14¾	49¼	¾
U309024	Cabinet Dimension	30	90	24
	Top Door Dimension	14¾	35	¾
	Bottom Door Dimension	14¾	49¼	¾
U309624	Cabinet Dimension	30	96	24
	Top Door Dimension	14¾	41	¾
	Bottom Door Dimension	14¾	49¼	¾

- Shaker, Oxford & Torrance doors have a horizontal rail in the center of the bottom door.

PRODUCT SPECIFICATIONS

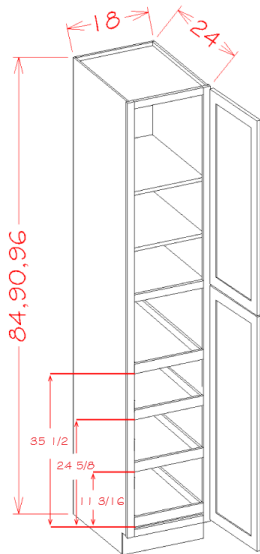
Oven Cabinets



- Oven opening can be modied to accommodate a double oven.
- Height up to 51 $\frac{3}{4}$ " (approx) with removal of top drawers/cut down of top rail.
- Width up to 31 $\frac{1}{2}$ " (approx) with cut down of stiles.

Model	Description	Width	Height	Depth
O338424	Cabinet Dimension	33	84	24
	Door Dimension	16 $\frac{1}{4}$	17	$\frac{3}{4}$
	Drawer Fronts	32 $\frac{1}{2}$	7 $\frac{3}{4}$	$\frac{3}{4}$
	Drawer Boxes	29	5 $\frac{1}{8}$	20 $\frac{3}{8}$
	Oven Opening	26 $\frac{1}{2}$	24 $\frac{3}{8}$	22 $\frac{3}{4}$
O339024	Cabinet Dimension	33	90	24
	Door Dimension	16 $\frac{1}{4}$	23	$\frac{3}{4}$
	Drawer Fronts	32 $\frac{1}{2}$	7 $\frac{3}{4}$	$\frac{3}{4}$
	Drawer Boxes	29	5 $\frac{1}{8}$	20 $\frac{3}{8}$
	Oven Opening	26 $\frac{1}{2}$	24 $\frac{3}{8}$	22 $\frac{3}{4}$
O339624	Cabinet Dimension	33	96	24
	Door Dimension	16 $\frac{1}{4}$	29	$\frac{3}{4}$
	Drawer Fronts	32 $\frac{1}{2}$	7 $\frac{3}{4}$	$\frac{3}{4}$
	Drawer Boxes	29	5 $\frac{1}{8}$	20 $\frac{3}{8}$
	Oven Opening	26 $\frac{1}{2}$	24 $\frac{3}{8}$	22 $\frac{3}{4}$

Accessory Tall Cabinets - Two Door Utility Four Rollout Shelf Cabinet Kit



Model	Description	Width	Height	Depth
U188424RS*	Cabinet Dimension	18	84	24
	Top Door Dimension	17 $\frac{1}{2}$	29	$\frac{3}{4}$
	Bottom Door Dimension	17 $\frac{1}{2}$	49 $\frac{1}{4}$	$\frac{3}{4}$
	Rollout Shelf	13 $\frac{3}{8}$	3 $\frac{3}{8}$	20 $\frac{7}{16}$
U189024RS*	Cabinet Dimension	18	90	24
	Top Door Dimension	17 $\frac{1}{2}$	35	$\frac{3}{4}$
	Bottom Door Dimension	17 $\frac{1}{2}$	49 $\frac{1}{4}$	$\frac{3}{4}$
	Rollout Shelf	13 $\frac{3}{8}$	3 $\frac{3}{8}$	20 $\frac{7}{16}$
U189624RS*	Cabinet Dimension	18	96	24
	Top Door Dimension	17 $\frac{1}{2}$	41	$\frac{3}{4}$
	Bottom Door Dimension	17 $\frac{1}{2}$	49 $\frac{1}{4}$	$\frac{3}{4}$
	Rollout Shelf	13 $\frac{3}{8}$	3 $\frac{3}{8}$	20 $\frac{7}{16}$

- Shaker & Torrance doors have a horizontal rail in the center of the bottom door.
- Assembled cabinets with Rollout Shelf kits are ONLY installed as indicated in the line drawing.
- Five boxes will be received when ordering this cabinet kit flat pack.
- Rollout Shelf glides are side mounted ball bearing with no soft close.
- Rollout Shelf Recommended Max Weight: 35lbs

*Available in: **CAPITAL impressions** collection

PRODUCT SPECIFICATIONS

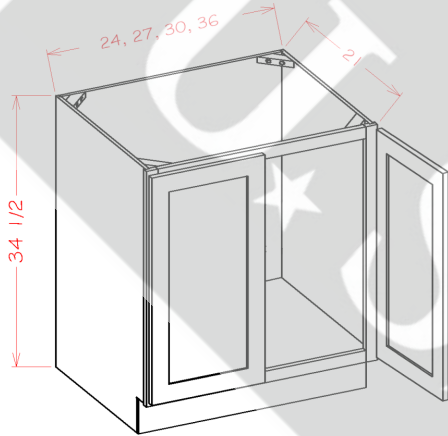
Accessory Tall Cabinets - Four Door Utility Four Rollout Shelf Cabinet Kit

Model	Description	Width	Height	Depth
U2484244RS	Cabinet Dimension	24	84	24
	Top Door Dimension	11 ³ / ₄	29	³ / ₄
	Bottom Door Dimension	11 ³ / ₄	49 ¹ / ₄	³ / ₄
	Rollout Shelf	19 ¹ / ₂	3 ³ / ₈	20 ⁷ / ₁₆
U2490244RS	Cabinet Dimension	24	90	24
	Top Door Dimension	11 ³ / ₄	35	³ / ₄
	Bottom Door Dimension	11 ³ / ₄	49 ¹ / ₄	³ / ₄
	Rollout Shelf	19 ¹ / ₂	3 ³ / ₈	20 ⁷ / ₁₆
U2496244RS	Cabinet Dimension	24	96	24
	Top Door Dimension	11 ³ / ₄	41	³ / ₄
	Bottom Door Dimension	11 ³ / ₄	49 ¹ / ₄	³ / ₄
	Rollout Shelf	19 ¹ / ₂	3 ³ / ₈	20 ⁷ / ₁₆
U3084244RS	Cabinet Dimension	30	84	24
	Top Door Dimension	14 ³ / ₄	29	³ / ₄
	Bottom Door Dimension	14 ³ / ₄	49 ¹ / ₄	³ / ₄
	Rollout Shelf	25 ³ / ₈	3 ³ / ₈	20 ⁷ / ₁₆
U3090244RS	Cabinet Dimension	30	90	24
	Top Door Dimension	14 ³ / ₄	35	³ / ₄
	Bottom Door Dimension	14 ³ / ₄	49 ¹ / ₄	³ / ₄
	Rollout Shelf	25 ³ / ₈	3 ³ / ₈	20 ⁷ / ₁₆
U3096244RS	Cabinet Dimension	30	96	24
	Top Door Dimension	14 ³ / ₄	41	³ / ₄
	Bottom Door Dimension	14 ³ / ₄	49 ¹ / ₄	³ / ₄
	Rollout Shelf	25 ³ / ₈	3 ³ / ₈	20 ⁷ / ₁₆

- Shaker & Torrance doors have a horizontal rail in the center of the bottom door.
- Assembled cabinets with Rollout Shelf kits are ONLY installed as indicated in the line drawing
- Five boxes will be received when ordering this cabinet kit flat pack.
- Rollout Shelf glides are side mounted ball bearing with no soft close.

PRODUCT SPECIFICATIONS

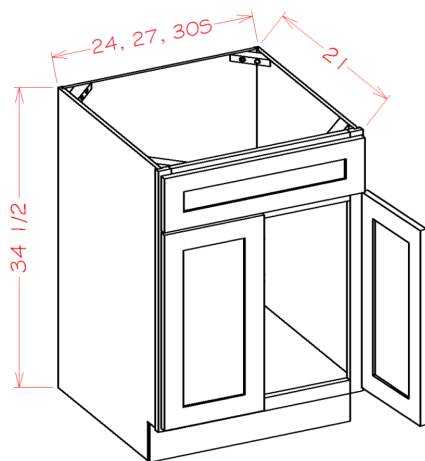
Vanity Sink Bases - Full Height Double Door



Model	Description	Width	Height	Depth
VS24FH*	Cabinet Dimension	24	34½	21
	Door Dimension	11¾	29	¾
VS27FH	Cabinet Dimension	27	34½	21
	Door Dimension	13¼	29	¾
VS30FH*	Cabinet Dimension	30	34½	21
	Door Dimension	14¾	29	¾
VS36FH*	Cabinet Dimension	36	34½	21
	Door Dimension	17¾	29	¾

*Available in: **CAPITAL**
impressions
collection

Vanity Sink Bases - Double Door Single Drawer Front



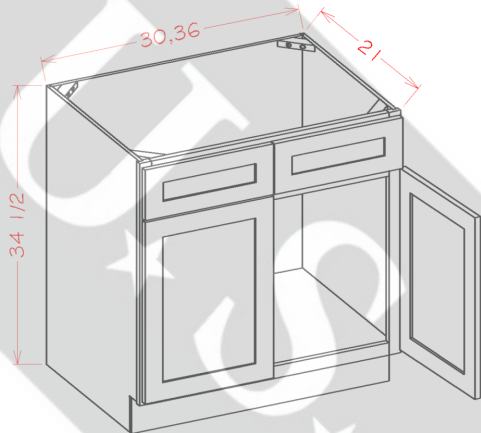
Model	Description	Width	Height	Depth
VS24*	Cabinet Dimension	24	34½	21
	Door Dimension	11¾	22½	¾
	Drawer Front	23½	6¼	¾
VS27*	Cabinet Dimension	27	34½	21
	Door Dimension	13¼	22½	¾
	Drawer Front	26½	6¼	¾
VS30S*	Cabinet Dimension	30	34½	21
	Door Dimension	14¾	22½	¾
	Drawer Front	29½	6¼	¾

† The VS30S will be a running change from the VS30 with two drawers.

*Available in: **CAPITAL**
impressions
collection

PRODUCT SPECIFICATIONS

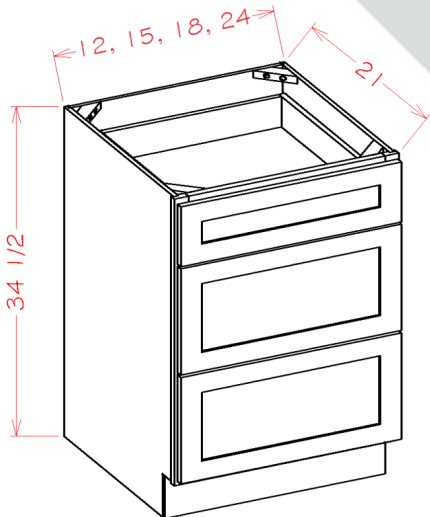
Vanity Sink Bases - Double Door Double Drawer Front



Model	Description	Width	Height	Depth
VS30	Cabinet Dimension	30	34½	21
	Door Dimension	14¾	22½	¾
	Drawer Front	14¾	6¼	¾
VS36*	Cabinet Dimension	36	34½	21
	Door Dimension	17¾	22½	¾
	Drawer Front	17¾	6¼	¾

*Available in: **CAPITAL impressions** collection

Vanity Drawer Bases

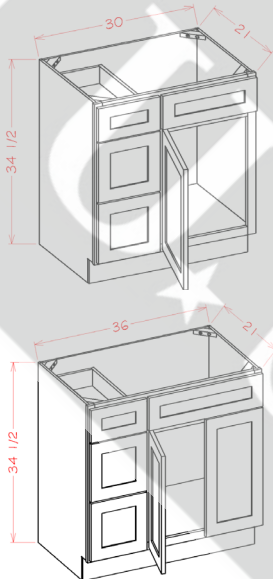


Model	Description	Width	Height	Depth
3VDB12*	Cabinet Dimension	12	34½	21
	Top Drawer Front	11½	6¼	¾
	Bottom Drawer Front	11½	11⅛	¾
	Top Drawer Box	8	3¾	17¾
3VDB15*	Cabinet Dimension	15	34½	21
	Top Drawer Front	14½	6¼	¾
	Bottom Drawer Front	14½	11⅛	¾
	Top Drawer Box	11	3¾	17¾
3VDB18*	Cabinet Dimension	18	34½	21
	Top Drawer Front	17½	6¼	¾
	Bottom Drawer Front	17½	11⅛	¾
	Top Drawer Box	14	3¾	17¾
3VDB24	Cabinet Dimension	24	34½	21
	Top Drawer Front	23½	6¼	¾
	Bottom Drawer Front	23½	11⅛	¾
	Top Drawer Box	20	3¾	17¾
3VDB24	Bottom Drawer Box	20	8¼	17¾

*Available in: **CAPITAL impressions** collection

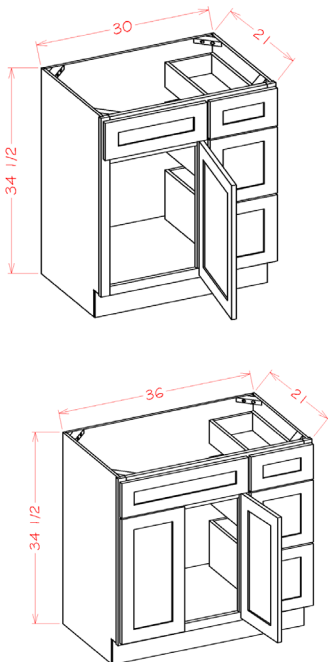
PRODUCT SPECIFICATIONS

Vanity Combo Bases - Drawers Left



Model	Description	Width	Height	Depth
V3021DL	Cabinet Dimension	30	34½	21
	Top Drawer Front	11½	6¼	¾
	Bottom Drawer Front	11½	11⅛	¾
	Top Long Drawer Front	17½	6¼	¾
	Top Drawer Box	8	3⅜	18
	Bottom Drawer Box	8	8¼	18
V3621DL	Cabinet Dimension	36	34½	21
	Top Drawer Front	11½	6¼	¾
	Bottom Drawer Front	11½	11⅛	¾
	Top Long Drawer Front	23½	6¼	¾
	Top Drawer Box	8	3⅜	18
	Bottom Drawer Box	8	8¼	18
	Door Dimension	11¾	22½	¾

Vanity Combo Bases - Drawers Right



Model	Description	Width	Height	Depth
V3021DR	Cabinet Dimension	30	34½	21
	Top Drawer Front	11½	6¼	¾
	Bottom Drawer Front	11½	11⅛	¾
	Top Long Drawer Front	17½	6¼	¾
	Top Drawer Box	8	3⅜	18
	Bottom Drawer Box	8	8¼	18
V3621DR	Cabinet Dimension	36	34½	21
	Top Drawer Front	11½	6¼	¾
	Bottom Drawer Front	11½	11⅛	¾
	Top Long Drawer Front	23½	6¼	¾
	Top Drawer Box	8	3⅜	18
	Bottom Drawer Box	8	8¼	18
	Door Dimension	11¾	22½	¾

PRODUCT SPECIFICATIONS

Vanity Combo Bases

Model	Description	Width	Height	Depth
VSD36*	Cabinet Dimension	36	34½	21
	Door Dimension	17¾	22½	¾
	Outside Drawer Front	10¼	6¼	¾
	Center Drawer Front	14½	6¼	¾
	Drawer Box	7¾	3¼	17¾
VSD42	Cabinet Dimension	42	34½	21
	Door Dimension	20¾	22½	¾
	Outside Drawer Front	11½	6¼	¾
	Center Drawer Front	18	6¼	¾
	Drawer Box	8¾	3¼	17¾
VSD48	Cabinet Dimension	48	34½	21
	Door Dimension	23¾	22½	¾
	Outside Drawer Front	14½	6¼	¾
	Center Drawer Front	18	6¼	¾
	Drawer Box	11¾	3¼	17¾

*Available in: **CAPITAL impressions** collection

• The VSD42 & 48 have a center stile.

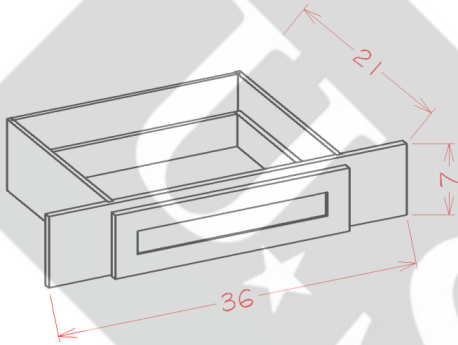
64

Vanity Combo Bases - Double Drawer Stack

Model	Description	Width	Height	Depth
VDDB42	Cabinet Dimension	42	34½	21
	Top Drawer Front	11½	6¼	¾
	Bottom Drawer Front	11½	11⅛	¾
	Top Long Drawer Front	17⅝	6¼	¾
	Top Drawer Box	8	3⅜	18
	Bottom Drawer Box	8	8¼	18
	Door Dimension	17⅝	22½	¾
VDDB48	Cabinet Dimension	48	34½	21
	Top Drawer Front	11½	6¼	¾
	Bottom Drawer Front	11½	11⅛	¾
	Top Long Drawer Front	23⅝	6¼	¾
	Top Drawer Box	8	3⅜	18
	Bottom Drawer Box	8	8¼	18
	Door Dimension	11¾	22½	¾

PRODUCT SPECIFICATIONS

Special Vanity - Vanity Knee Drawer



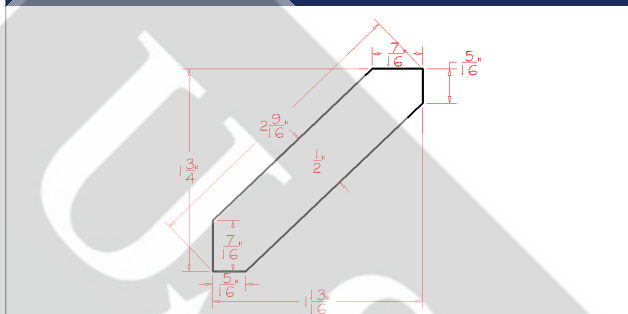
Model	Description	Width	Height	Depth
VKD36*	Cabinet Dimension	36	7	21
	Drawer Front	23½	6¼	¾
	Drawer Box	19¾	3⅜	17⅜

- Trimmable to 27" wide

*Available in: **CAPITAL**
impressions
collection

PRODUCT SPECIFICATIONS

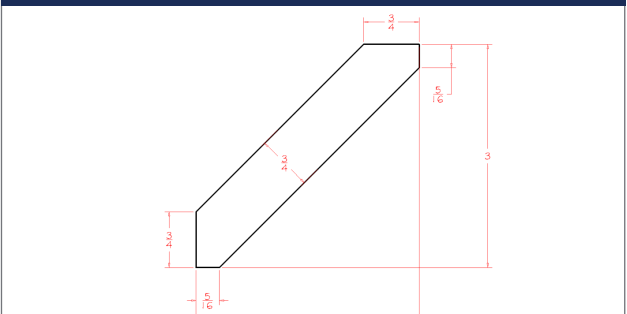
Crown Moulding - 1 3/4"H Angled Crown Moulding



Model	Description	Width	Height	Depth
ACM8	Dimension	96	1 3/4	1 13/16

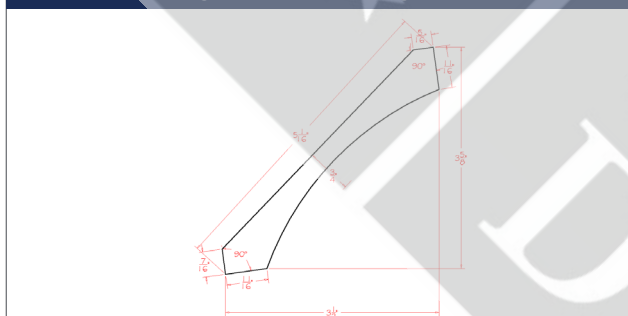
- Not available in the Casselberry style.

Crown Moulding - 3"H Angled Crown Moulding



Model	Description	Width	Height	Depth
LACM8	Dimension	96	3	3

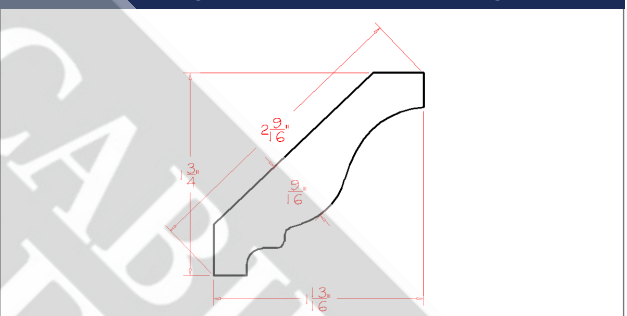
Crown Moulding - Cove Moulding



Model	Description	Width	Height	Depth
COV	Dimension	96	3 5/8	3 1/2

- Not available in the Casselberry style.

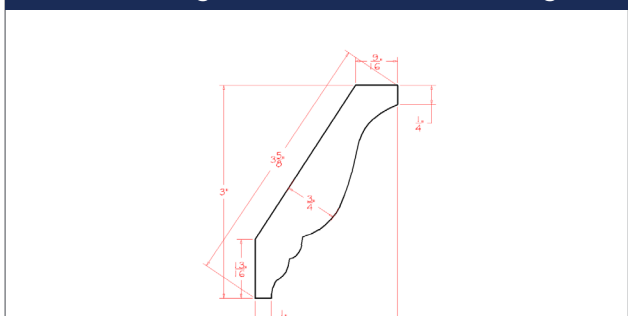
Crown Moulding - Classic Crown Moulding



Model	Description	Width	Height	Depth
CM8	Dimension	96	1 3/4	1 13/16

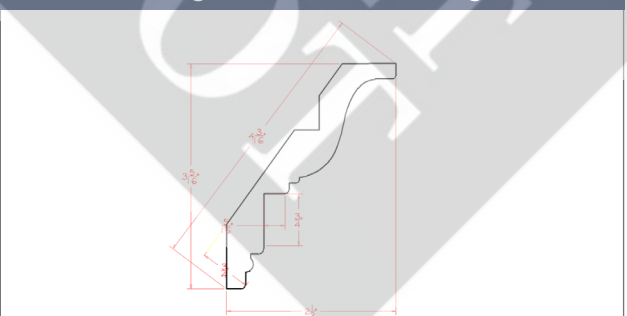
- Available in Casselberry ONLY.

Crown Moulding - Decorative Crown Moulding



Model	Description	Width	Height	Depth
DCM	Dimension	96	3	2

Crown Moulding - Inset Crown Moulding

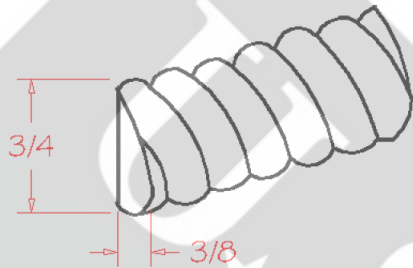


Model	Description	Width	Height	Depth
ICM	Dimension	96	3 5/8	2 1/2

- Available in Casselberry ONLY.

PRODUCT SPECIFICATIONS

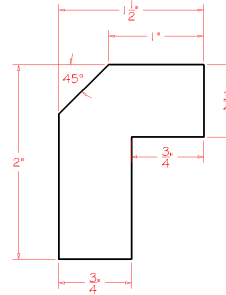
Crown Moulding - Rope Moulding



Model	Description	Width	Height	Depth
ROPE	Dimension	96	3/4	3/8

- Available in Casselberry ONLY.

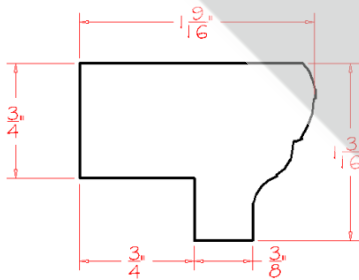
Light Rail Moulding - Angled Light Rail



Model	Description	Width	Height	Depth
ALRM	Dimension	96	1 1/2	2

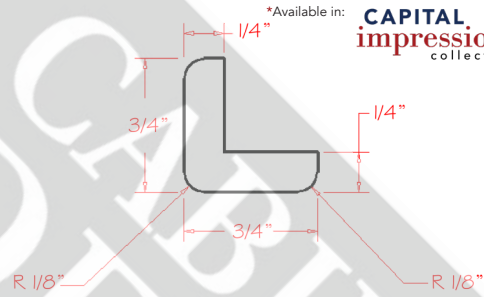
- Not available in the Casselberry style.

Light Rail Moulding - Beveled Light Rail



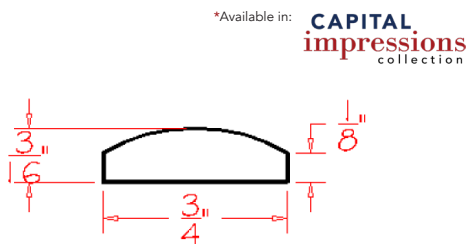
Model	Description	Width	Height	Depth
LRM	Dimension	96	1 3/16	1 7/16

Trim - Outside Corner Moulding



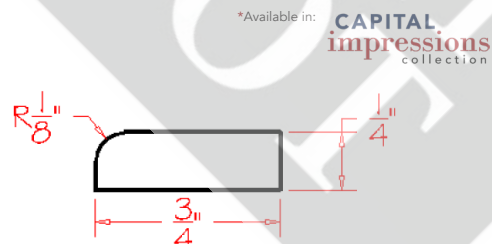
Model	Description	Width	Height	Depth
OCM*	Dimension	96	3/4	3/4

Trim - Batten Moulding



Model	Description	Width	Height	Depth
BAM*	Dimension	96	3/4	3/16

Trim - Scribe Moulding



Model	Description	Width	Height	Depth
SCR*	Dimension	96	3/4	1/4

PRODUCT SPECIFICATIONS

Trim - Shoe Moulding

*Available in: **CAPITAL impressions collection**

Model	Description	Width	Height	Depth
SHM*	Dimension	96	3/4	1/2

Toe Kick Mouldings - Toe Kick Cover

*Available in: **CAPITAL impressions collection**

Model	Description	Width	Height	Depth
TKC*	Dimension	96	4 1/2	1/4

Toe Kick Mouldings - Furniture Base Moulding

*Available in: **CAPITAL impressions collection**

Model	Description	Width	Height	Depth
FBM*	Dimension	96	4 5/16	3/4

Fillers - 3" Wall/Base Filler

Model	Description	Width	Height	Depth
F342	Dimension	3	42	3/4

Fillers - 3" Tall Filler

*Available in: **CAPITAL impressions collection**

Model	Description	Width	Height	Depth
F396*	Dimension	3	96	3/4

Fillers - 6" Wall/Base Filler

Model	Description	Width	Height	Depth
F642	Dimension	6	42	3/4

PRODUCT SPECIFICATIONS

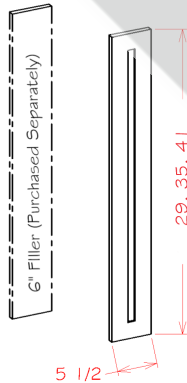
Fillers - 6" Tall Filler

*Available in: **CAPITAL impressions collection**



Model	Description	Width	Height	Depth
F696*	Dimension	6	96	3/4

Filler Overlays

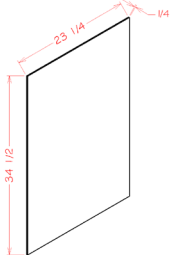


Model	Description	Width	Height	Depth
FOL630	Dimension	5½	29	¾
FOL636	Dimension	5½	35	¾
FOL642	Dimension	5½	41	¾

- Filler overlays have a matching door profile.
- 6" filler required for application (purchased separately)

Skin Panels - Base Skin Panel

*Available in: **CAPITAL impressions collection**



Model	Description	Width	Height	Depth
BSV*	Dimension	23¼	34½	¼

- Only finished on one side.

Skin Panels - Wall Skin Panel

*Available in: **CAPITAL impressions collection**



Model	Description	Width	Height	Depth
WSV4*	Dimension	15	42	¼

- Only finished on one side.

PRODUCT SPECIFICATIONS

Skin Panels - Utility Skin Panel

*Available in: **CAPITAL impressions collection**

Model	Description	Width	Height	Depth
USV2496*	Dimension	23 1/4	96	1/4

- Only finished on one side.

Skin Panels - Long Skin Panel

*Available in: **CAPITAL impressions collection**

Model	Description	Width	Height	Depth
FPV4296*	Dimension	42	96	1/4

- Grain runs long way.
- Only finished on one side.

Skin Panels - Bead Board Panel

Model	Description	Width	Height	Depth
BBFPV4296	Dimension	42	96	1/4

Panels - Dishwasher Return Panel

*Available in: **CAPITAL impressions collection**

Model	Description	Width	Height	Depth
DWR3*	Dimension	3	34 1/2	24

Panels - Refrigerator End Panel

*Available in: **CAPITAL impressions collection**

Model	Description	Width	Height	Depth
REPV3096*	Dimension	1 1/2	96	30

- REPVKIT available with (4) metal L-Brackets to attach the front filler piece to the panel.

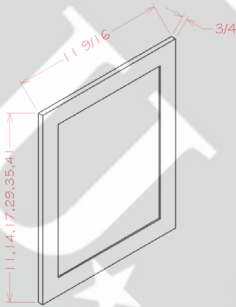
Decorative End Panels - Base Decorative End Panel

*Available in: **CAPITAL impressions collection**

Model	Description	Width	Height	Depth
BDEP*	Dimension	23 1/2	29	3/4

PRODUCT SPECIFICATIONS

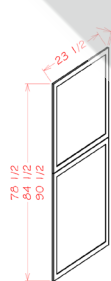
Decorative End Panels - Wall Decorative End Panel



Model	Description	Width	Height	Depth
WDEP1212	Dimension	11½	11	¾
WDEP1215	Dimension	11½	14	¾
WDEP1218	Dimension	11½	17	¾
WDEP30*	Dimension	11½	29	¾
WDEP36	Dimension	11½	35	¾
WDEP42	Dimension	11½	41	¾

*Available in: **CAPITAL impressions** collection

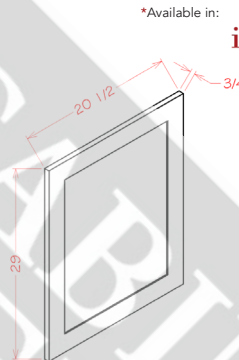
Panels - Tall Decorative End Panel



Model	Description	Width	Height	Depth
TDEP2484*	Dimension	23½	78½	30
TDEP2490*	Dimension	23½	84½	30
TDEP2496*	Dimension	23½	90½	30

- Shaker, Oxford, & Torrance panels have horizontal rail in the center of the bottom panel.

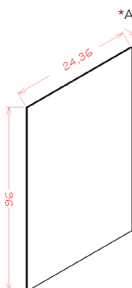
Panels -Vanity Decorative End Panel



Model	Description	Width	Height	Depth
VDEP*	Dimension	20½	29	¾

*Available in: **CAPITAL impressions** collection

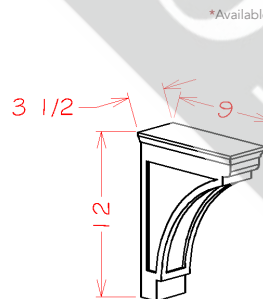
Panels - Finished Shelf Board



Model	Description	Width	Height	Depth
S2496	Dimension	24	96	¾
S3696*	Dimension	36	96	¾

- One long edge banded to match
- Finished on both sides

Accent Accessories - Modern Corbel



Model	Description	Width	Height	Depth
MCB*	Dimension	3½	12	9

*Available in: **CAPITAL impressions** collection

PRODUCT SPECIFICATIONS

Accent Accessories - Traditional Corbel

Model	Description	Width	Height	Depth
CBT	Dimension	3 ¹ / ₈	13 ¹ / ₁₆	5 ⁷ / ₈

Accent Accessories - Classic Decorative Leg

Model	Description	Width	Height	Depth
CLDL	Dimension	3	34 ¹ / ₂	3

Accent Accessories - Square Decorative Leg

*Available in: **CAPITAL impressions** collection

Model	Description	Width	Height	Depth
SQDL*	Dimension	3	34 ¹ / ₂	3

Accent Accessories - Shaker Valance

Model	Description	Width	Height	Depth
VASH48	Dimension	48	6	³ / ₄

- Trimmable on each side by 1¹/₄"
- Finished on both sides and two long edges

Touch Up Kit

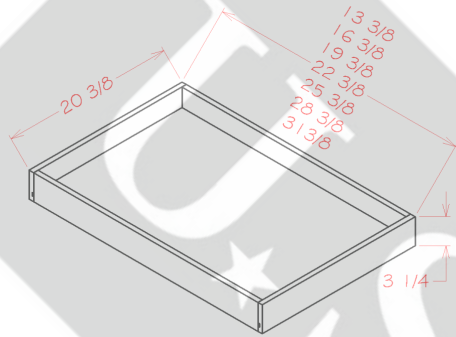
- Available for all framed finishes.
- Contains paint pen, fill stick, & application card.

Spray Paint

- Available for painted finishes ONLY.

PRODUCT SPECIFICATIONS

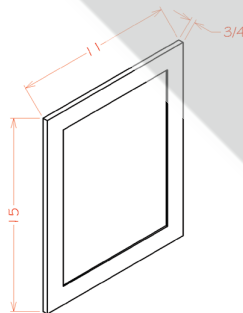
Roll Out Shelves



Model	Description	Width	Height	Depth
RS18-Type A	Dimension	13 ³ / ₈	3 ³ / ₈	20 ⁷ / ₁₆
RS21-Type A	Dimension	16 ³ / ₈	3 ³ / ₈	20 ⁷ / ₁₆
RS24-Type A	Dimension	19 ¹ / ₂	3 ³ / ₈	20 ⁷ / ₁₆
RS27-Type A	Dimension	22 ¹ / ₂	3 ³ / ₈	20 ⁷ / ₁₆
RS30-Type A	Dimension	25 ³ / ₈	3 ³ / ₈	20 ⁷ / ₁₆
RS33-Type A	Dimension	28 ³ / ₈	3 ³ / ₈	20 ⁷ / ₁₆
RS36-Type A	Dimension	31 ³ / ₈	3 ³ / ₈	20 ⁷ / ₁₆

- Glides are side mounted ball bearing with no soft close.
- Recommended Max Weight: 35lbs

Sample Door - SD



Model	Description	Width	Height	Depth
SD	Dimension	11	15	3/4